

1.7V-6V Vin, 500mA, 8uA Iq, Low-Dropout Regulator

FEATURES

- Wide Input Range: 1.7V-6V (2.2V-6V for SCT71005A01)
- Maximum Output Current: 500mA
- Output Voltage:
 - 1.2V, 1.8V and 3.3V (Fixed Output)
 - 0.7V~5V (SCT71005A01)
 - 0.5V~5V (SCT71005A02)
- Output Voltage Accuracy:
 - $T_J = 25^{\circ}\text{C}$: $\pm 1\%$
 - $T_J = -40^{\circ}\text{C} \sim 125^{\circ}\text{C}$: $\pm 2\%$
- Low Quiescent Current: 8uA
- Ultra-Low Shutdown Current: 0.02uA
- Low Dropout Voltage(Adjustable Output Version) :
 - 54mV at 200mA load current
 - 143mV at 500mA load current
- Support Output Capacitors Range:
 - 2.2uF~220uF
 - Low-ESR: 0.001 Ω ~ 5 Ω
- 1.4ms Internal Soft-start Time($V_{REF}=500\text{mV}$)
- 2.05ms Internal Soft-start Time($V_{REF}=700\text{mV}$)
- Integrated Short-Circuit Protection with OCFB (Over Current Fold-back) Feature
- Enable pin is available
- Over-Temperature Protection
- Power-Good Feature is available
- Active Output Discharge
- Available Package: SOT23-5L/ DFN2x2-6L/ DFN2x3-8L/ DFN1x1-4L

APPLICATIONS

- Battery-Powered Systems
- Automotive infotainment
- Navigation systems
- Portable appliances

DESCRIPTION

The SCT71005 series products is a low-dropout linear regulator designed to operate with a wide input-voltage range from 1.7 V to 6 V and 500mA output current with enable control and Power-Good feature. The SCT71005 series products is stable with 2.2uF~220uF output capacitors, and 10uF ceramic capacitor is recommended.

Only 8- μA typical quiescent current at light load makes the SCT71005 series products ideal choices for portable devices with battery power supply and an optimal solution for powering microcontrollers (MCUs) and CAN/LIN transceivers in always-on systems.

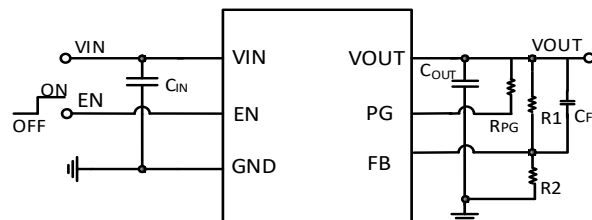
The SCT71005 series products implements power good circuit (PG) which indicates that output voltage is in regulation. This signal could be used for power sequencing or as a microcontroller reset.

The SCT71005 series products integrated short-circuit and overcurrent protection with OCFB (Over Current Fold-back) feature, which makes the device more reliable during transient high-load current faults or shorting events.

The SCT71005 series products provide fixed 1.2V, 1.8V and 3.3V output voltage versions, and also could provide adjust output voltage version with 0.7V、0.5V feedback voltage.

The SCT71005 series products is available in SOT23-5L, DFN2x2-6L, DFN1x1-4 and DFN2x3-8L packages, for other package options, please contact SCT sales.

TYPICAL APPLICATION



SCT71005 Series

REVISION HISTORY

NOTE: Page numbers for previous revisions may differ from page numbers in the current version.

Revision 1.0: Release to production.

Revision 1.1: Update Figure 8, the electrical characteristics and the thermal performance on page 20.

Revision 1.2: Add MSL level in device order information. Update tape and reel information.

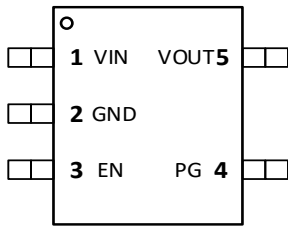
Revision 1.3: Update the package information.

Revision 1.4: Update the package information, the soft-start time and the description for reference voltage (adjustable version).

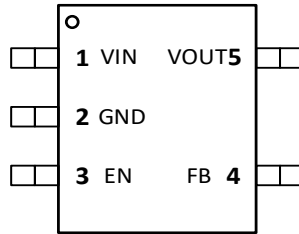
DEVICE ORDER INFORMATION

Orderable Device	Output Voltage	Package	Package Marking	PINS	MSL	Transport Media, Quantity
SCT71005F33TWDR	Fixed 3.3V	SOT23-5L	5F33	5	1	Tape & Reel, 3000
SCT71005F18TWDR	Fixed 1.8V	SOT23-5L	5F18	5	1	Tape & Reel, 3000
SCT71005F12TWDR	Fixed 1.2V	SOT23-5L	5F12	5	1	Tape & Reel, 3000
SCT71005A01TWDR	Adjust	SOT23-5L	5A01	5	1	Tape & Reel, 3000
SCT71005F33DVAR	Fixed 3.3V	DFN2X2-6L	5F33	6	1	Tape & Reel, 3000
SCT71005F18DVAR	Fixed 1.8V	DFN2X2-6L	5F18	6	1	Tape & Reel, 3000
SCT71005F12DVAR	Fixed 1.2V	DFN2X2-6L	5F12	6	1	Tape & Reel, 3000
SCT71005A02DTDR	Adjust	DFN2X3-8L	5A02	8	1	Tape & Reel, 5000
SCT71005F33DXAR	Fixed 3.3V	DFN1X1-4L	F33	4	3	Tape & Reel, 10000
SCT71005F18DXAR	Fixed 1.8V	DFN1X1-4L	F18	4	3	Tape & Reel, 10000
SCT71005F12DXAR	Fixed 1.2V	DFN1X1-4L	F12	4	3	Tape & Reel, 10000

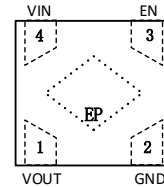
PIN CONFIGURATION



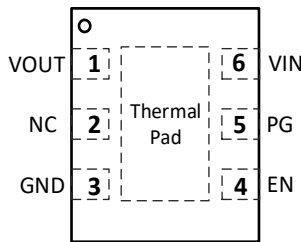
SCT71005FxxTWDR
SOT23-5L Package



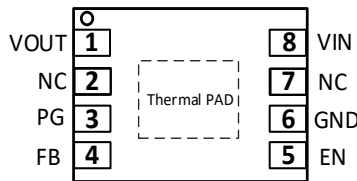
SCT71005A01TWDR
SOT23-5L Package



SCT71005FxxDXAR
DFN1x1-4L Package



SCT71005FxxDVAR
DFN2x2-6L Package



SCT71005A02DTDR
DFN2x3-8L Package

PIN FUNCTIONS

SOT23-5/SCT71005Fxx:

NAME	NAME	PIN FUNCTION
1	VIN	Input voltage pin
2	GND	Ground reference pin.
3	EN	Enable input pin. This pin has an internal resistor ($R_{EN_pulldown}$) to hold the regulator off by default. A low voltage ($V_{EN} < V_{EN_L}$) on this pin turns the regulator off and discharges the output pin to GND through an internal pulldown resistor ($R_{discharge}$). A high voltage ($V_{EN} > V_{EN_H}$) on this pin enables the regulator output. The pulldown resistor ($R_{EN_pulldown}$). $R_{EN_pulldown}$ is disconnected to reduce input current when $V_{EN} > V_{EN_H}$.
4	PG	Power-good pin
5	VOUT	Regulated output voltage pin

SCT71005 Series

SOT23-5L/SCT71005A01:

NAME	NAME	PIN FUNCTION
1	VIN	Input voltage pin
2	GND	Ground reference pin.
3	EN	Enable input pin. This pin has an internal resistor($R_{EN_pulldown}$) to hold the regulator off by default. A low voltage($V_{EN} < V_{EN_L}$) on this pin turns the regulator off and discharges the output pin to GND through an internal pulldown resistor($R_{discharge}$).A high voltage($V_{EN} > V_{EN_H}$) on this pin enables the regulator output.The pulldown resistor($R_{EN_pulldown}$). $R_{EN_pulldown}$ Is disconnected to reduce input current when $V_{EN} > V_{EN_H}$.
4	FB	Feedback voltage pin
5	VOUT	Regulated output voltage pin

DFN2x2-6L/SCT71005Fxx:

NAME	NAME	PIN FUNCTION
1	VOUT	Regulated output voltage pin
2	NC	No connection
3	GND	Ground reference pin.
4	EN	Enable input pin. This pin has an internal resistor($R_{EN_pulldown}$) to hold the regulator off by default. A low voltage($V_{EN} < V_{EN_L}$) on this pin turns the regulator off and discharges the output pin to GND through an internal pulldown resistor($R_{discharge}$).A high voltage($V_{EN} > V_{EN_H}$) on this pin enables the regulator output.The pulldown resistor($R_{EN_pulldown}$). $R_{EN_pulldown}$ Is disconnected to reduce input current when $V_{EN} > V_{EN_H}$.
5	PG	Power-good pin
6	VIN	Input voltage pin
7	Thermal Pad	Connect the thermal pad to a large area GND plane for improved thermal performance.

DFN2x3-8L/SCT71005A02:

NAME	NAME	PIN FUNCTION
1	VOUT	Regulated output voltage pin
2	NC	No connection
3	PG	Power-good pin
4	FB	Feedback voltage pin
5	EN	Enable input pin. This pin has an internal resistor($R_{EN_pulldown}$) to hold the regulator off by default. A low voltage($V_{EN} < V_{EN_L}$) on this pin turns the regulator off and discharges the output pin to GND through an internal pulldown resistor($R_{discharge}$).A high voltage($V_{EN} > V_{EN_H}$) on this pin enables the regulator output.The pulldown resistor($R_{EN_pulldown}$). $R_{EN_pulldown}$ is disconnected to reduce input current when $V_{EN} > V_{EN_H}$.
6	GND	Ground reference pin.
7	NC	No connection
8	VIN	Input voltage pin
9	Thermal Pad	Connect the thermal pad to a large area GND plane for improved thermal performance.

DFN1X1-4L/SCT71005Fxx:

NAME	NAME	PIN FUNCTION
1	VOUT	Regulated output voltage pin
2	GND	Ground reference pin.
3	EN	Enable input pin. This pin has an internal resistor($R_{EN_pulldown}$) to hold the regulator off by default. A low voltage($V_{EN} < V_{EN_L}$) on this pin turns the regulator off and discharges the output pin to GND through an internal pulldown resistor($R_{discharge}$).A high voltage($V_{EN} > V_{EN_H}$) on this pin enables the regulator output.The pulldown resistor($R_{EN_pulldown}$). $R_{EN_pulldown}$ is disconnected to reduce input current when $V_{EN} > V_{EN_H}$.
4	VIN	Input voltage pin
5	Thermal Pad	Connect the thermal pad to a large area GND plane for improved thermal performance.

SCT71005 Series

RECOMMENDED OPERATING CONDITIONS

Over operating free-air temperature range unless otherwise noted

PARAMETER	DEFINITION	MIN	MAX	UNIT
V _{IN}	Input voltage range	1.7	6	V
	Input voltage range-SCT71005A01	2.2	6	V
V _{OUT}	Fixed Output voltage	1.2	3.3	V
	Adjustable Output Version-SCT71005A01	0.7	5	V
	Adjustable Output Version-SCT71005A02	0.5	5	V
V _{EN}	Enable input voltage	0	V _{IN}	V
V _{PG}	Power-good pin voltage	0	5.5	V
C _{IN}	Input capacitor	2.2	--	uF
C _{OUT}	Output capacitor	2.2	220	uF
ESR	Output capacitor ESR requirements	0.001	5	Ω
T _J	Operating junction temperature	-40	125	°C

ABSOLUTE MAXIMUM RATINGS

Over operating free-air temperature range unless otherwise noted ⁽¹⁾

PARAMETER	DEFINITION	MIN	MAX	UNIT
V _{IN}	Maximum input voltage range	-0.3	6.5	V
V _{OUT}	Maximum output voltage range	-0.3	6	V
V _{EN}	Maximum enable input voltage	-0.3	V _{IN}	V
V _{PG}	Maximum power-good pin voltage	-0.3	6	V
T _J ⁽²⁾	Junction temperature range	-40	150	°C
T _{stg}	Storage temperature range	-65	150	°C

(1) Stresses beyond those listed under Absolute Maximum Rating may cause device permanent damage. The device is not guaranteed to function outside of its Recommended Operation Conditions.

(2) The IC includes over temperature protection to protect the device during overload conditions. Junction temperature will exceed 150°C when over temperature protection is active. Continuous operation above the specified maximum operating junction temperature will reduce lifetime.

ESD RATINGS

PARAMETER	DEFINITION	MIN	MAX	UNIT
V _{ESD}	Human Body Model(HBM), per ANSI-JEDEC-JS-001-2014 specification, all pins ⁽¹⁾	-5	+5	kV
	Charged Device Model(CDM), per ANSI-JEDEC-JS-002-2014 specification, all pins ⁽²⁾	-1	+1	kV

(1) JEDEC document JEP155 states that 500V HBM allows safe manufacturing with a standard ESD control process.

(2) JEDEC document JEP157 states that 250V CDM allows safe manufacturing with a standard ESD control process.

THERMAL INFORMATION

The value of $R_{\theta JA}$ and $R_{\theta JC}$ given in this table is only valid for comparison with other packages and cannot be used for design purposes. Because they were simulated in accordance with JESD 51-7. They do not represent the performance obtained in an actual application. For design information see Power Dissipation and Thermal Performance section.

The value of $R_{\theta JA_EVM}$ is the tested results based on our EVM, and is more useful for thermal design. Even if it still do not represent the thermal performance of customer's PCB design, but it was a good starting point for thermal performance design.

The PCB information of our EVM: 4-layer, 1oz Cu (inner 0.5oz Cu), 50mm x 30mm size. 2-layer (only for DFN1X1-4L), 1oz Cu, 50mm x 30mm size.

The values given in this table are not a characteristic of package itself, but of many other system level characteristics such as the design and layout of the printed circuit board (PCB), thermal pad size, and external environmental factors. The PCB board is a heat sink that is soldered to the leads and thermal pad of the device. Changing the design or configuration of the PCB board changes the efficiency of the heat sink and therefore the actual values of the below table.

Package Type	$R_{\theta JA}^{(1)}$	Ψ_{JT}	Ψ_{JB}	$R_{\theta JCtop}^{(2)}$	$R_{\theta JA_EVM}^{(3)}$	UNIT
SOT23-5L	123.23	34.41	78	129	91.81	°C/W
DFN2X2-6L	101.7	25.23	65	166.05	71.31	
DFN2X3-8L	99.76	24.76	64.7	126.7	59.04	
DFN1X1-4L (2-layer)	359.64	36.17	96.76	519.17	140.55	

(1) $R_{\theta JA}$ is junction to ambient thermal resistance, based on JESD51-7.

(2) $R_{\theta JC}$ is junction to case thermal resistance, based on JESD51-7.

(3) $R_{\theta JA_EVM}$ is junction to ambient thermal resistance, which is tested on SCT EVM.

SCT71005 Series

ELECTRICAL CHARACTERISTICS

$V_{IN}=V_{OUT}+1V$, $C_{OUT}=10\mu F$, $T_J=-40^{\circ}C\sim 125^{\circ}C$, typical value is tested under $25^{\circ}C$.

SYMBOL	PARAMETER	TEST CONDITION	MIN	TYP	MAX	UNIT
Power Supply						
V_{IN}	Operating input voltage		1.7		6	V
V_{UVLO}	V_{IN} UVLO Threshold Hysteresis	V_{IN} rising		1.5 100	1.695	V mV
V_{IN}	Operating input voltage	(SCT71005A01)	2.2		6	V
V_{UVLO}	V_{IN} UVLO Threshold Hysteresis	V_{IN} rising(SCT71005A01)		2 100	2.195	V mV
I_{SHDN}	Shutdown current from V_{IN} pin	$EN=0$, $2.2V\leq V_{IN}\leq 2.8V$, $T_J=25^{\circ}C$ $EN=0$, $2.2V\leq V_{IN}\leq 2.8V$, $T_J=-40^{\circ}C\sim 125^{\circ}C$		0.02	0.2	μA
I_Q	Quiescent current from GND pin	No load, $V_{IN}=V_{OUT}+1V$, $T_J=25^{\circ}C$ No load, $V_{IN}=V_{OUT}+1V$, $T_J=-40^{\circ}C\sim 125^{\circ}C$		8	12	μA
					16	μA
Regulated Output Voltage and Current						
V_{OUT}	Output voltage accuracy	$I_{out}=1mA$, $T_J=25^{\circ}C$ $I_{out}=1mA$, $T_J=-40^{\circ}C\sim 125^{\circ}C$	-1%		1%	
V_{REF}	Feedback voltage accuracy	$T_J=25^{\circ}C$ (SCT71005A01) $T_J=-40^{\circ}C\sim 125^{\circ}C$ (SCT71005A01) $T_J=25^{\circ}C$ (SCT71005A02) $T_J=-40^{\circ}C\sim 125^{\circ}C$ (SCT71005A02)	693	700	703	mV
			686	700	714	mV
			495	500	505	mV
			490	500	510	mV
ΔV_{OUT}	Line regulation	$V_{IN}=V_{OUT}+1V$ to 6V, $I_{out}=1mA$ $V_{IN}=V_{OUT}+1V$ to 6V, $I_{out}=1mA$ (Fixed Output-F33)		7	25	mV
				10	30	mV
	Load regulation	$I_{out}=1mA$ to 500mA(Adjustable Output) $I_{out}=1mA$ to 500mA(Fixed Output-F12) $I_{out}=1mA$ to 500mA(Fixed Output-F18) $I_{out}=1mA$ to 500mA(Fixed Output-F33)		10	20	mV
				16	30	mV
				16	40	mV
				25	50	mV
V_{DROP}	Dropout voltage ⁽¹⁾ (Adjustable Output)	$V_{IN}=V_{OUT}-0.1V$, $I_{out}=100mA$ $V_{IN}=V_{OUT}-0.1V$, $I_{out}=200mA$ $V_{IN}=V_{OUT}-0.1V$, $I_{out}=500mA$		28		mV
				54		mV
				143		mV
	Dropout voltage(Fixed Output-F18)	$V_{IN}=V_{OUT}-0.1V$, $I_{out}=100mA$ $V_{IN}=V_{OUT}-0.1V$, $I_{out}=200mA$ $V_{IN}=V_{OUT}-0.1V$, $I_{out}=500mA$		49		mV
				100		mV
				297		mV
	Dropout voltage(Fixed Output-F33)	$V_{IN}=V_{OUT}-0.1V$, $I_{out}=100mA$ $V_{IN}=V_{OUT}-0.1V$, $I_{out}=200mA$ $V_{IN}=V_{OUT}-0.1V$, $I_{out}=500mA$		26		mV
				54		mV
				138		mV
I_{OUT}	Output current	V_{OUT} in regulation	0		500	mA
I_{OC}	Output current limit	V_{OUT} short to $90\% \times V_{OUT}$, $T_J=25^{\circ}C$ V_{OUT} short to $90\% \times V_{OUT}$, $T_J=-40^{\circ}C\sim 125^{\circ}C$	600	800	1000	mA
			540		1100	mA

SCT71005 Series

SYMBOL	PARAMETER	TEST CONDITION	MIN	TYP	MAX	UNIT
		V_{OUT} short to $90\% \times V_{OUT}$, $T_J=25^\circ\text{C}$ (SCT71005FxxDXAR)	580	800	1100	mA
		V_{OUT} short to $90\% \times V_{OUT}$, $T_J=-40^\circ\text{C}\sim 125^\circ\text{C}$ (SCT71005FxxDXAR)	520		1200	mA
Isc	Short current limit	$V_{OUT}=0\text{V}$		290		mA
PSRR	Power supply rejection ratio ⁽²⁾	$V_{OUT}=1.2\text{V}, I_{OUT}=10\text{mA}, f=1\text{kHz}, C_{OUT}=10\mu\text{F}$		47		dB
		$V_{OUT}=1.2\text{V}, I_{OUT}=10\text{mA}, f=10\text{kHz}, C_{OUT}=10\mu\text{F}$		31		dB
		$V_{OUT}=1.2\text{V}, I_{OUT}=10\text{mA}, f=100\text{kHz}, C_{OUT}=10\mu\text{F}$		44		dB

Over Voltage Protection

OVP _H	overshoot of Vout when discharge occur	$V_{IN}=3.3\text{V}$		115%		
OVP _L	overshoot of Vout when discharge disappear	$V_{IN}=3.3\text{V}$		110%		
OVP _{Hys}	overshoot of Vout hysteresis			5%		

Enable and Soft-startup

V _{EN_H}	Enable rising threshold	V _{EN_H_1.8} ($V_{IN}=1.8\text{V}$)		0.63	0.9	V
		V _{EN_H_3.3} ($V_{IN}=3.3\text{V}$)		0.75	0.95	V
		V _{EN_H_5} ($V_{IN}=5\text{V}$)		0.867	1	V
V _{EN_L}	Enable falling threshold	V _{EN_L_1.8} ($V_{IN}=1.8\text{V}$)	0.35	0.607		V
		V _{EN_L_3.3} ($V_{IN}=3.3\text{V}$)	0.45	0.66		V
		V _{EN_L_5} ($V_{IN}=5\text{V}$)	0.5	0.685		V
V _{EN_Hys}	Enable threshold hysteresis	V _{EN_Hys_1.8} ($V_{IN}=1.8\text{V}$)		23		mV
		V _{EN_Hys_3.3} ($V_{IN}=3.3\text{V}$)		85		mV
		V _{EN_Hys_5} ($V_{IN}=5\text{V}$)		180		mV
I _{EN_0V}	Enable pin current	EN=0			0.2	μA
I _{EN_3.3V}	Enable pin current	EN=3.3V		0.01	0.2	μA
REN _{pulldown}	enable pulldown resistor			648		k Ω
T _{SS}	Soft-start time	SCT71005A01	0.5	2.05	4.5	ms
		Fixed Output Version & SCT71005A02	0.5	1.4	3	ms

Power Good

V _{PG_R}	PG rising threshold percentage	$V_{OUT}/V_{OUT(NOM)}$, when V_{OUT} rising		90%		
V _{PG_F}	PG falling threshold percentage	$V_{OUT}/V_{OUT(NOM)}$, when V_{OUT} falling		80%		
V _{PG_LOW}	PG output low voltage	PG sink 0.5mA		82		mV
R _{PG}	PG pull down resistor	$R_{PG}=V_{PG_LOW}/0.5\text{mA}$		165		Ω
I _{PG_LKG}	PG leakage current	PG=5V, V_{OUT} in regulation			0.2	μA
T _{d_PGR}	PG signal turn to high delay	From $V_{OUT}>0.90 \times V_{OUT(NOM)}$ to PG rising edge delay time		170		μs
T _{d_PGf}	PG signal turn to low delay	From $V_{OUT}<0.80 \times V_{OUT(NOM)}$ to PG falling edge delay time		88		μs

Active Discharge

R _{discharge}	Low output NMOS on resistance	EN=0, $V_{IN}=3.3\text{V}$		133		Ω
------------------------	-------------------------------	----------------------------	--	-----	--	----------

SCT71005 Series

SYMBOL	PARAMETER	TEST CONDITION	MIN	TYP	MAX	UNIT
Thermal Protection						
T _{SD}	Thermal shutdown threshold ⁽³⁾	T _J rising		170		°C
		Hysteresis		15		°C

- (1) The dropout voltage is defined as $V_{IN}-V_{OUT}$, when force V_{IN} is 100mV below the value of V_{OUT} for $V_{IN}=V_{OUT(NOM)}+1V$.
- (2) PSRR is derived from bench characterization, not production test.
- (3) Thermal shutdown threshold is derived from bench characterization, not production test.

TYPICAL CHARACTERISTICS

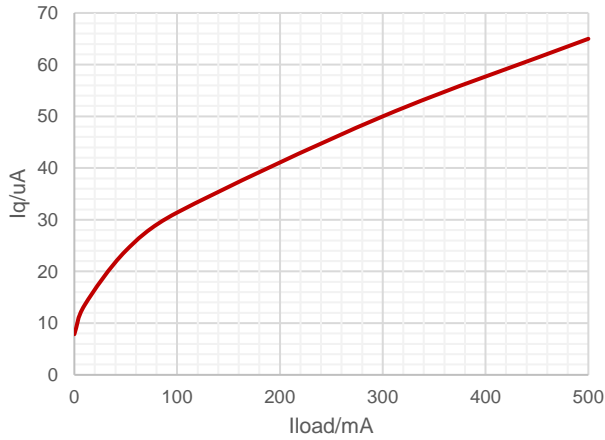


Figure 1. Quiescent Current vs Output Current

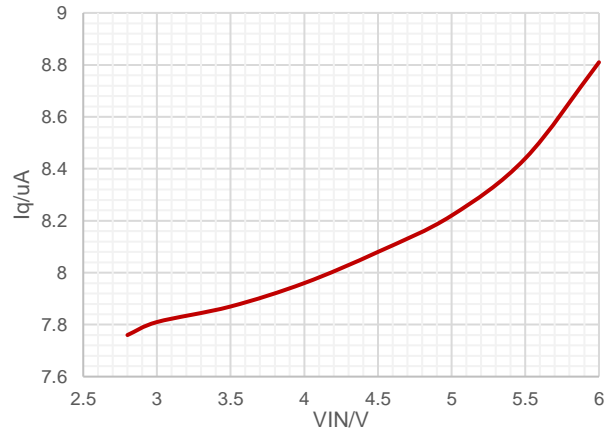


Figure 2. Quiescent Current vs Input Voltage, No load

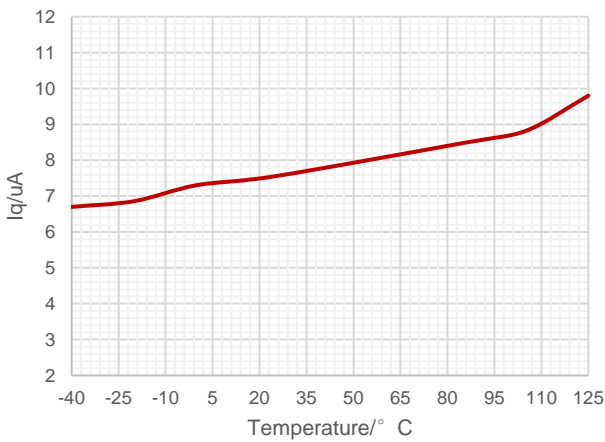


Figure 3. Quiescent Current vs Ambient Temperature

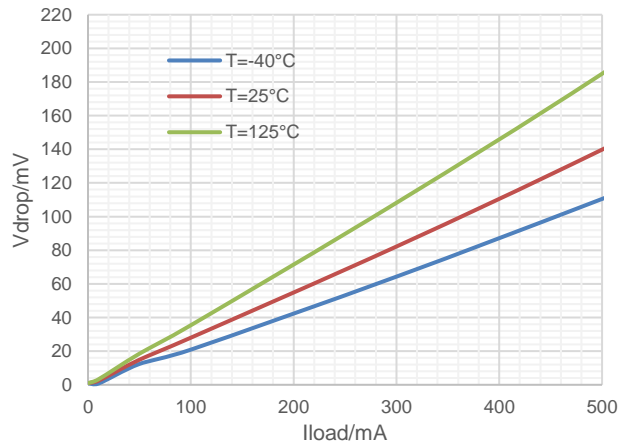


Figure 4. Dropout Voltage vs Output Current (Adjustable Output Version)

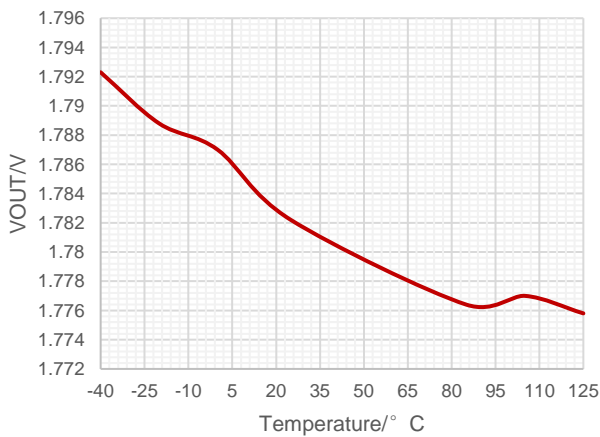


Figure 5. Output Voltage vs Ambient Temperature at $V_{OUT}=1.8V$

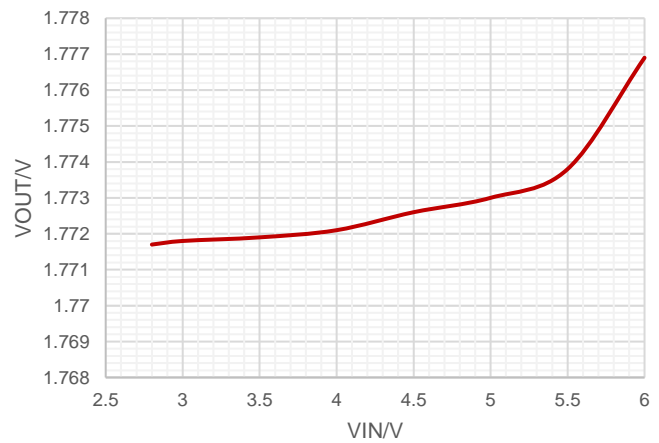


Figure 6. Output Voltage vs Input Voltage

SCT71005 Series

TYPICAL CHARACTERISTICS (continued)

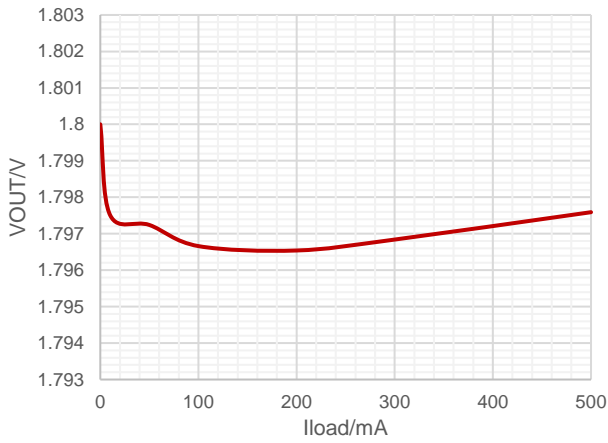


Figure 7. Output Voltage vs Output Current
(Adjustable Output Version)

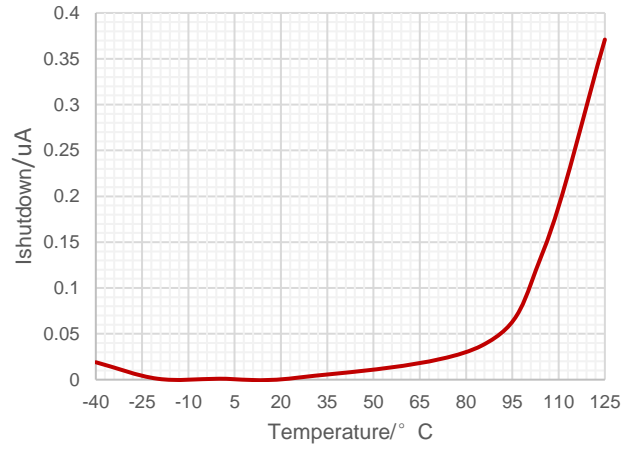


Figure 8. Shutdown Current vs Ambient Temperature

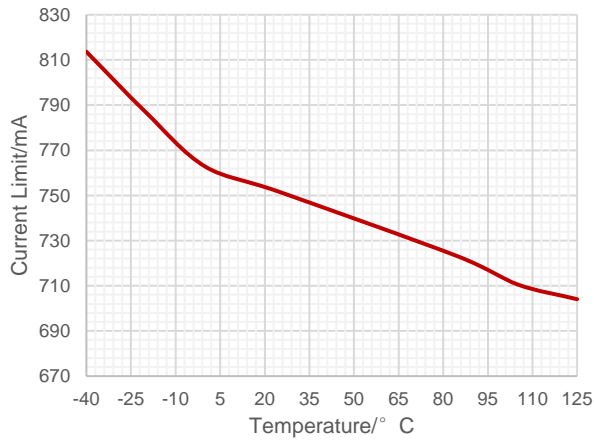


Figure 9. Output Current Limit vs Ambient Temperature

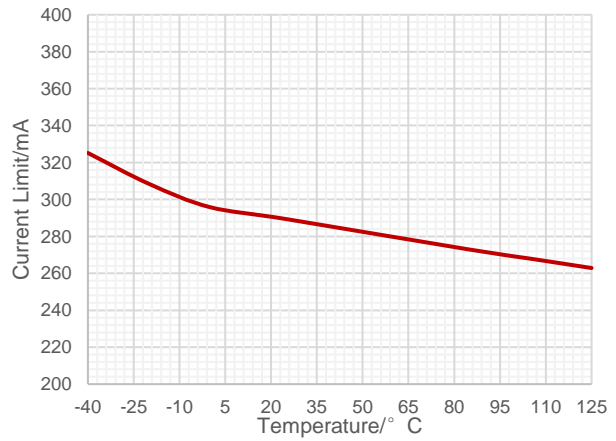


Figure 10. Short Current Limit vs Ambient Temperature

TYPICAL CHARACTERISTICS (continued)

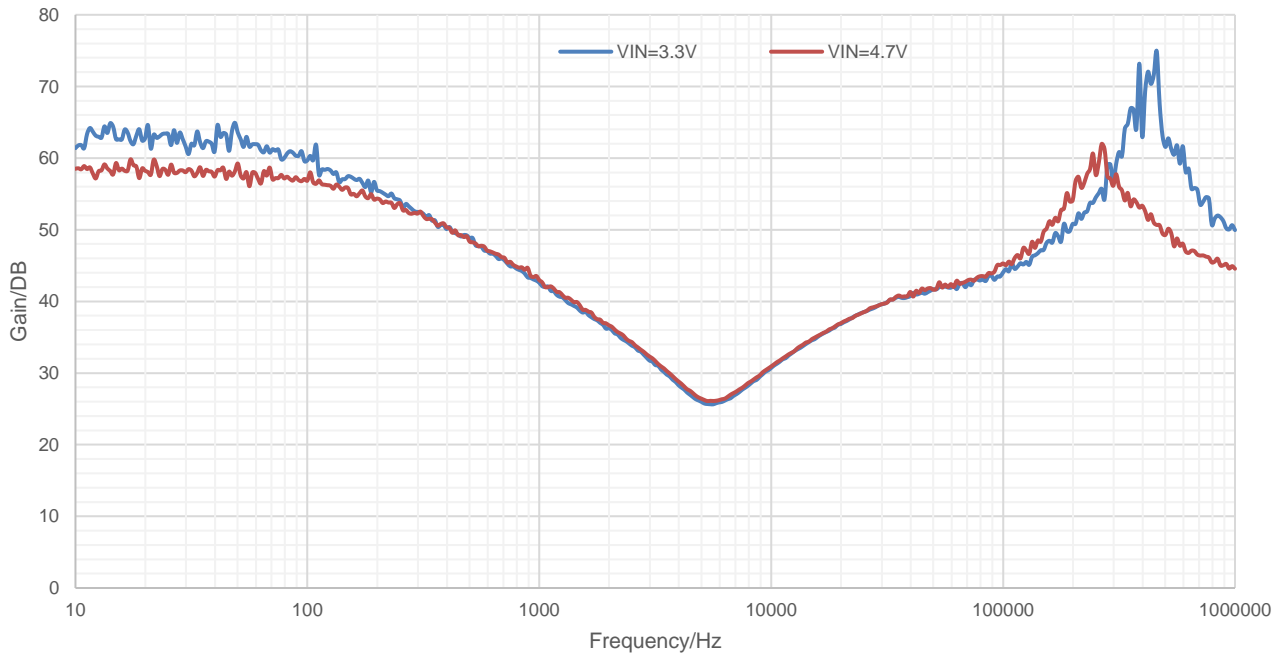


Figure 11. PSRR vs Frequency
 VOUT=1.2V,Cf=33pF,COU=10uF,IOUT=10mA

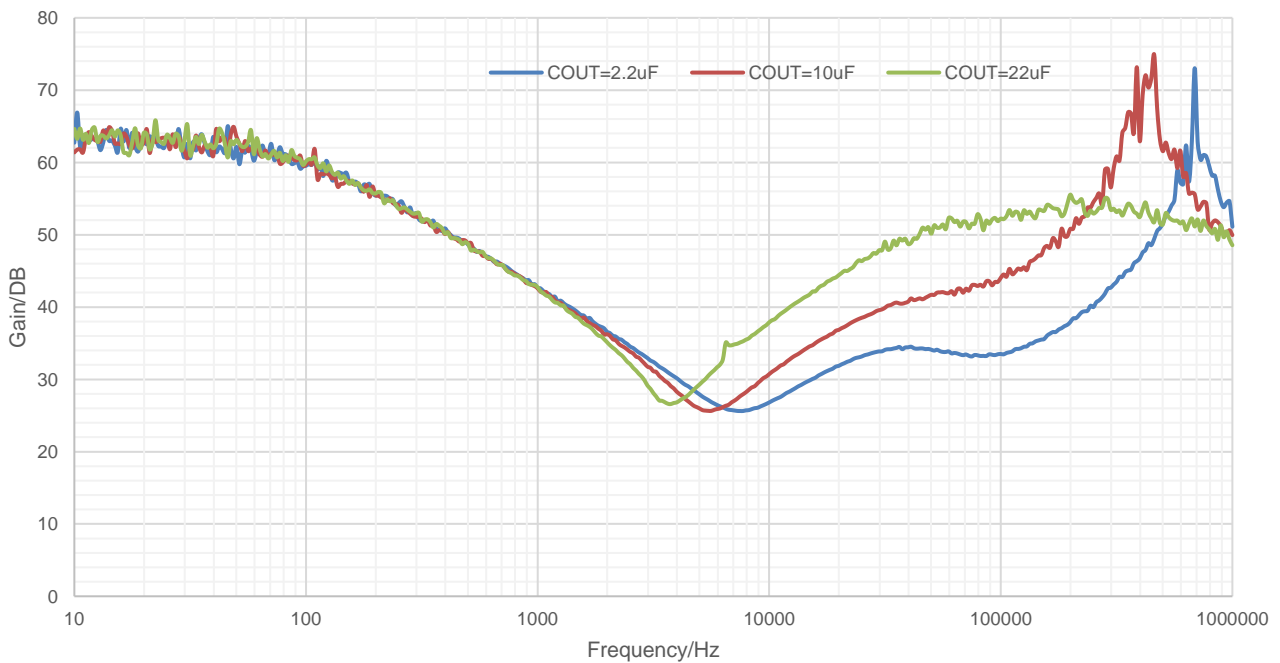


Figure 12. PSRR vs Frequency
 VIN=3.3V,VOUT=1.2V,Cf=33pF,IOUT=10mA

TYPICAL CHARACTERISTICS (continued)

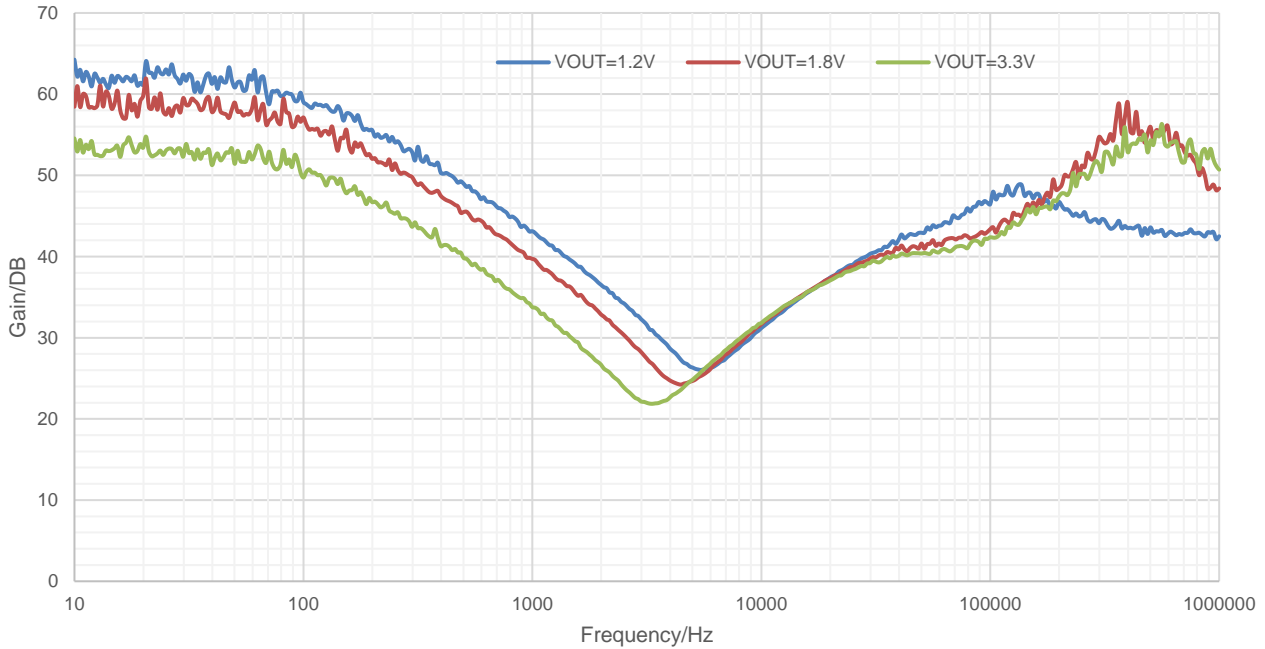


Figure 13. PSRR vs Frequency
VIN=4.3V, Cf=33pF, COUt=10uF, IOUt=10mA

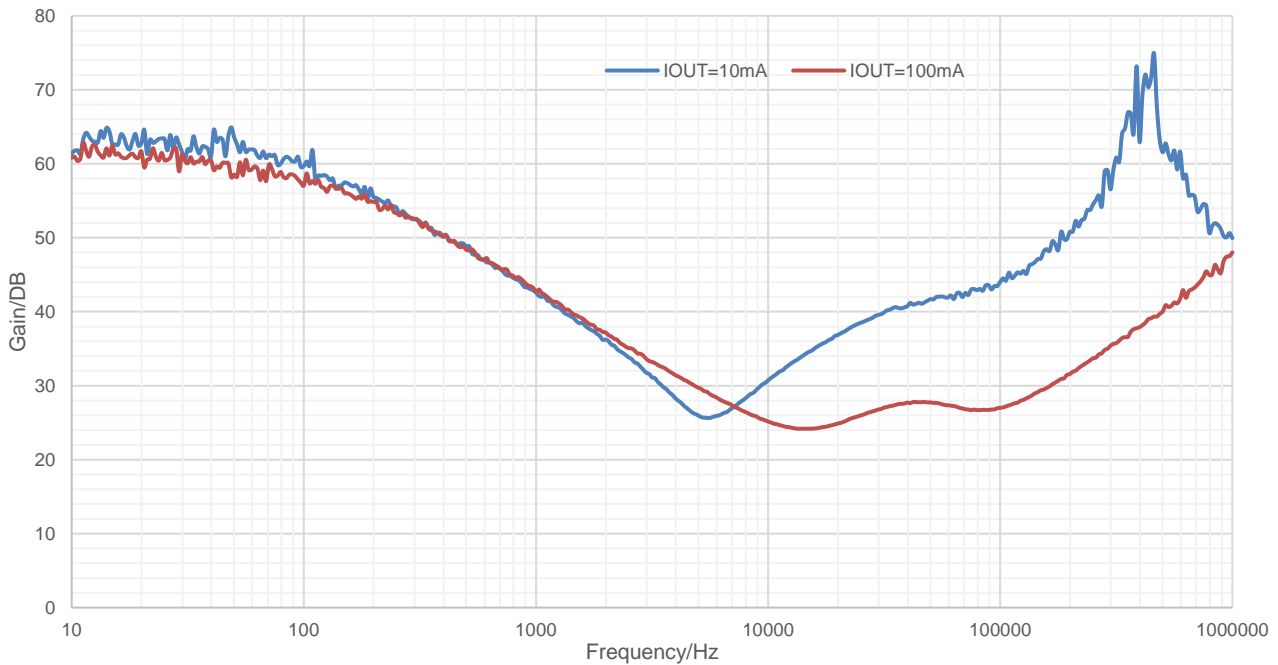


Figure 14. PSRR vs Frequency
VIN=3.3V, VOUT=1.2V, Cf=33pF, COUt=10uF

FUNCTIONAL BLOCK DIAGRAM

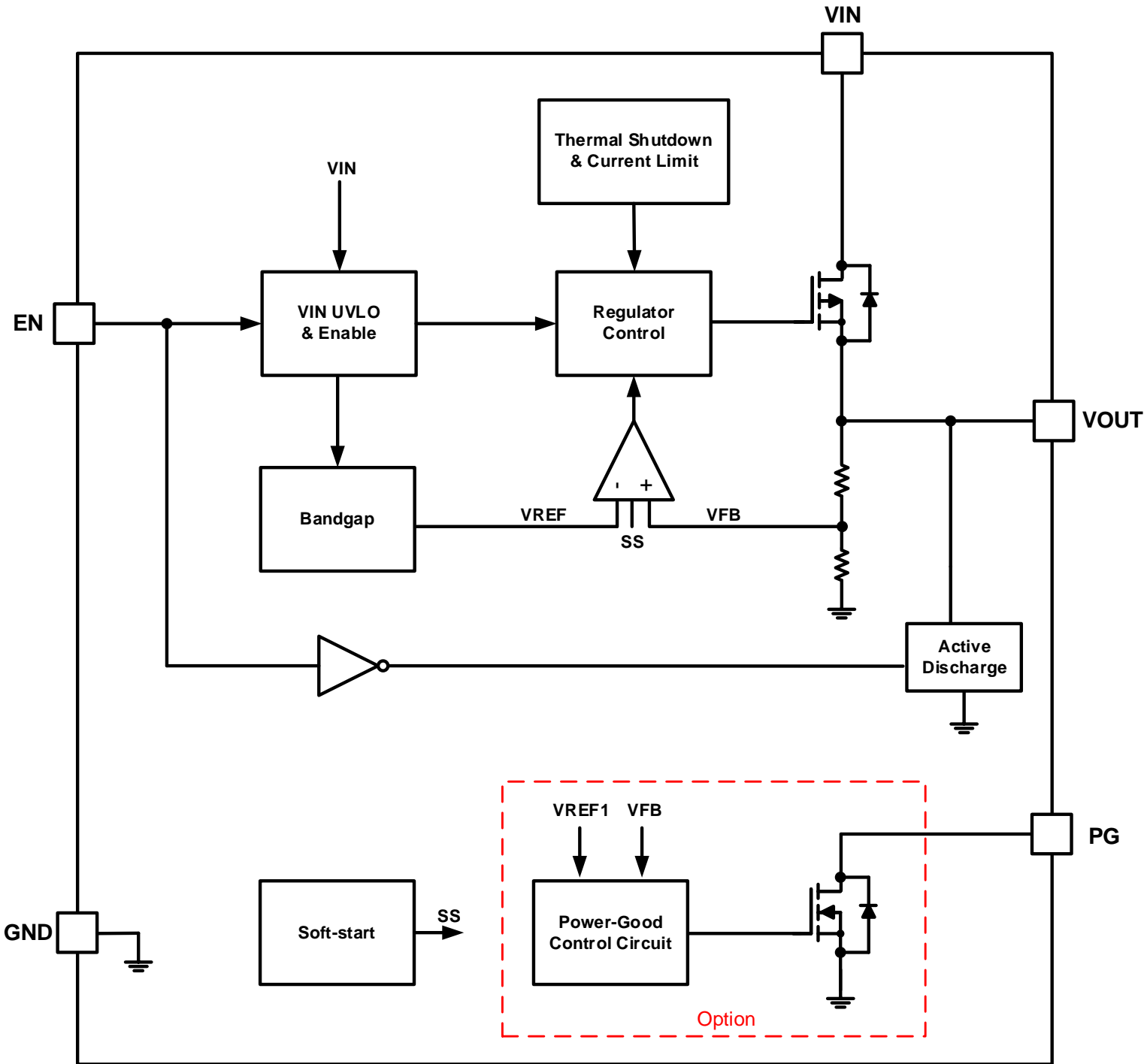


Figure 15. Functional Block Diagram of Fixed Output Version

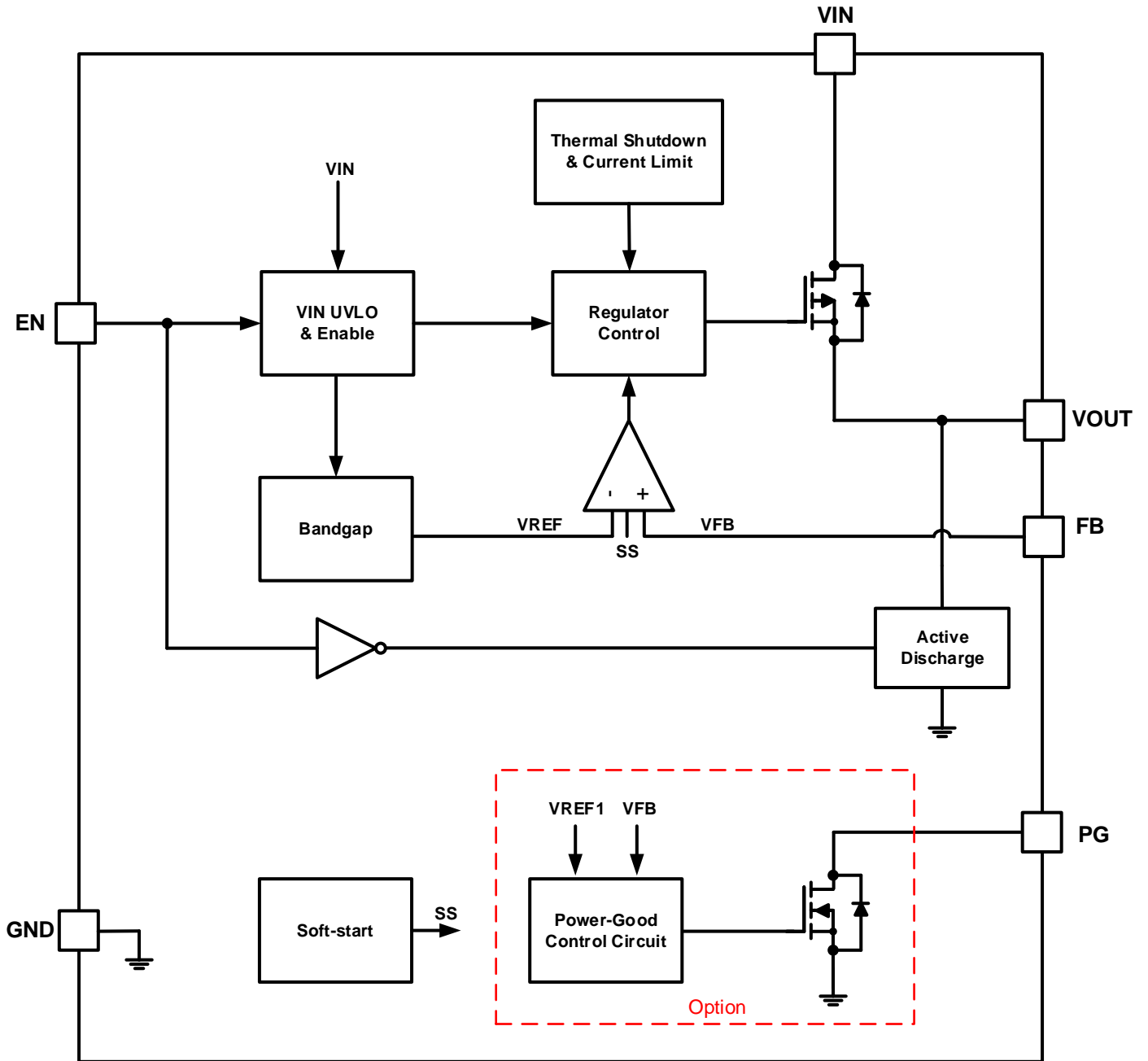


Figure 16. Functional Block Diagram of Adjust Output Version

OPERATION

Overview

The SCT71005 product are 500mA output current linear regulators with very low quiescent current. These voltage regulators operate from 1.7V to 6V DC input voltage and consume 8 μ A quiescent current at no load.

The SCT71005 products are stable with 2.2 μ F~220 μ F output capacitors, and 10 μ F ceramic capacitor is recommended. An internal soft-start time avoids large inrush current and output voltage overshoot during startup.

The SCT71005 products also provide enable control which is very suitable for the applications needing sequence configuration. Other protection features include the VIN input under-voltage lockout, over current protection, output hard short protection with OCFB and thermal shutdown protection.

The SCT71005 series products are available in fixed voltage versions of 1.2V、1.8V and 3.3V with 1% output voltage accuracy at room temp and 2% output voltage accuracy over operating conditions.

The SCT71005 series products also provide adjustable output version which can adjust the output voltage from 0.5V to 5V. The product is available in SOT23-5L, DFN2x2-6L, DFN1x1-4L and DFN2x3-8L packages.

If you need a new output voltage version or a new package option, please feel free to contact SCT sales.

Output Enable

The enable pin (EN) is active high. Enable the device by forcing the voltage of the enable pin to exceed the minimum EN pin high-level input voltage. Turn off the device by forcing the voltage of the enable pin to drop below the maximum EN pin low-level input voltage. If shutdown capability is not required, connect EN to IN.

This EN circuit has an pulldown resistor($R_{EN_pulldown}$) disconnected to reduce input current when the output is enabled, and connected when EN pin low to disable the output. Floating the EN pin is not suggestion.

Regulated Output Voltage

The SCT71005 product provide adjustable output which can adjust the output voltage from 0.5V to 5V. When the input voltage is higher than $V_{OUT(NOM)}+V_{DROP}$, output pin is the regulated output based on the selected voltage version. When the input voltage falls below $V_{OUT(NOM)}+V_{DROP}$, output pin tracks the input voltage minus the dropout voltage based on the load current. When the input voltage drops below UVLO threshold, the output keeps shut off.

If you need a new output voltage version or a new package option, please feel free to contact SCT sales.

Output Discharge

The SCT71005 product has an internal pulldown MOSFET that connects an $R_{discharge}$ resistor to ground when the device is disabled to actively discharge the output voltage. The active discharge circuit is activated by the enable pin.

Do not rely on the active discharge circuit to discharge the output voltage after the input supply has collapsed because reverse current can possibly flow from the output to the input. This reverse current flow can cause damage to the device, especially when a large output capacitor is used. Limit reverse current to no more than 5% of the device rated current for a short period of time.

Over Current Limit and Foldback Current Limit

The SCT71005 product has an internal current limit circuit that protects the regulator during transient high-load current faults or shorting events. The current limit is a hybrid brick-wall foldback scheme. The current limit transitions from a brick-wall scheme to a foldback scheme at the foldback voltage ($V_{FOLDBACK}$). In a high-load current fault with the output voltage above $V_{FOLDBACK}$, the brick-wall scheme limits the output current to the current limit (I_{OC}). When the output voltage drops below $V_{FOLDBACK}$, a foldback current limit activates that scales back the current limit. When the output is shorted, the device supplies a typical current called the short-circuit current limit (I_{SC}). I_{OC} and I_{SC} are listed in the Electrical Characteristics table.

SCT71005 Series

The output voltage is not regulated when the device is in current limit. When a current limit event occurs, the regulator begins to heat up because of the increase in power dissipation. When the device is in brick-wall current limit, the pass transistor dissipates power $[(V_{IN}-V_{OUT}) \times I_{OC}]$. When the output is shorted and the output voltage is less than $V_{FOLDBACK}$, the pass transistor dissipates power $[(V_{IN}-V_{OUT}) \times I_{SC}]$. If thermal shutdown is triggered, the device turns off. After the device cools down, the internal thermal shutdown circuit turns the device back on. If the output current fault condition persists, the device cycles between current limit and thermal shutdown.

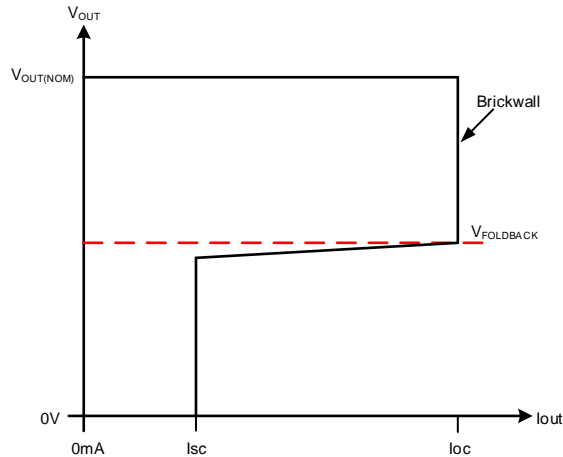


Figure 17. Current Limit with Foldback Feature

Internal Soft-Start

The SCT71005 product integrates an internal soft-start circuit that ramps the reference voltage from zero volts to 0.8V reference voltage in 1.4ms(SCT71005A02). If the EN pin is pulled below 0.607V, LDO will be shut off and the internal soft-start resets. The soft-start also resets during shutdown due to thermal overloading.

Below figure shows the startup waveform at small output capacitor and large output capacitor. When output capacitor is small, for example 10uF, the slope of VOUT is limit by soft-start. When output capacitor is large, for example 100uF, the slope of VOUT is limited by foldback current limit (I_{SC}) at $V_{OUT} < V_{FOLDBACK}$, and the slope of VOUT is limited by over current limit (I_{OC}), when $V_{OUT} > V_{FOLDBACK}$.

In SCT71005 product, typical T_{SS} is 1.4ms(SCT71005A02), and typical I_{OC} is 800mA and typical I_{SC} is 290mA, could use the following formula for initial startup time calculation.

$$T_{start} = \max \left\{ \frac{C_{OUT} \times 0.9 \times V_{OUT}}{(I_{sc} - I_{load})} + \frac{C_{OUT} \times 0.9 \times V_{OUT}}{(I_{oc} - I_{load})}, T_{SS} \right\} \quad (1)$$

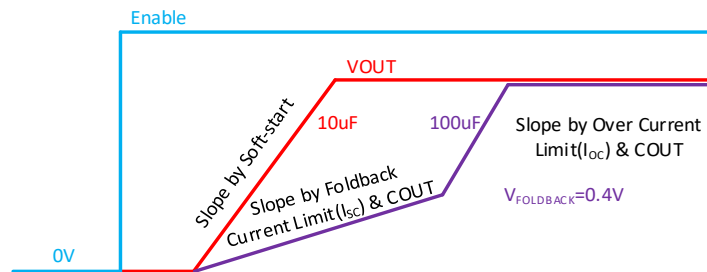


Figure 18. Soft-start Waveform vs Output Capacitor

Power-Good and Power-Good Delay

The power-good (PG) pin is an open-drain output and can be connected to any 5V or lower rail through an external pull-up resistor. The PG output is high-impedance when V_{OUT} is greater than the PG trip threshold ($V_{PG_R}=90\% \times V_{OUT(NOM)}$). If V_{OUT} drops below $V_{PG_F}=80\% \times V_{OUT(NOM)}$, the open-drain output turns on and pulls the PG output low. If output voltage monitoring is not needed, the PG pin can be left floating or connected to GND.

The power-good delay time (T_{d_PGR}) is defined as the time period from when V_{OUT} exceeds the PG trip threshold voltage (V_{PG_R}) to when the PG output is high. This power-good delay time is set by an internal time, which is 170 μ s typical. The power-good deglitch time (T_{d_PGF}) is defined as the time period from when V_{OUT} fall below the PG trip threshold voltage (V_{PG_F}) to when the PG output is low. This power-good deglitch time is set by an internal time, which is 88 μ s typical. If the power-good delay time is not enough for some application, could try to connect a capacitor from PG pin to GND and using PG pull-up resistor and this capacitor generate extra delay time to meet your design.

To ensure proper operation of the power-good feature, maintain $V_{IN} \geq 1.7V$ (V_{IN_MIN}). It allows connections of PG pin to circuit with the same or different power supply voltage to the LDO's V_{OUT} level. Below are the connections examples.

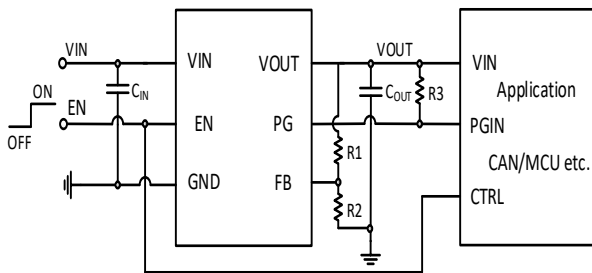


Figure 19. PG Connected to LDO's Output

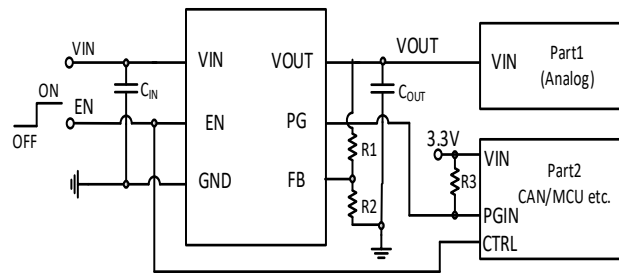


Figure 20. PG Connected to the other Power Supply

Below figure shows the startup and shutdown situation when slow power up and power down.

At the point 0, the input voltage starts to rise from 0 to 5V, LDO is in shutdown (because V_{IN} is below its UVLO threshold) and output voltage is 0V.

At the point 1, the V_{IN} voltage reaches UVLO threshold level and LDO starts charging of output capacitor. V_{OUT} rising speed is defined by internal soft-start function.

At the point 2, the V_{OUT} voltage reaches almost the V_{IN} voltage as it rises faster and LDO gets into dropout region. The difference between V_{IN} and V_{OUT} is the dropout voltage.

At the point 3, the V_{OUT} reaches PG threshold ($V_{PG_R}=90\% \times V_{OUT(NOM)}$) and from this point LDO counts the power good delay time (T_{d_PGR}). After this delay, the PG pin rises to high level showing that V_{OUT} is ok.

At the point 4, the V_{OUT} reaches its nominal value (3.3V) as the V_{IN} starts to be higher than ($V_{OUT(NOM)} + V_{DROP}$) and LDO gets into regulation region.

At the point 5, as the V_{IN} voltage slow power down and LDO returns to dropout region again.

At the point 6, the V_{OUT} drops below PG threshold ($V_{PG_F}=80\% \times V_{OUT(NOM)}$) and LDO starts counting the power good deglitch time (T_{d_PGF}), which filters fast V_{OUT} undershoots (caused for example by line/load transient responses). After this delay, the PG output is shorted to 0 V level to highlight "power fail" state.

At the point 7, the V_{IN} voltage is lower than input voltage UVLO threshold minus UVLO hysteresis level and LDO goes into the shutdown state.

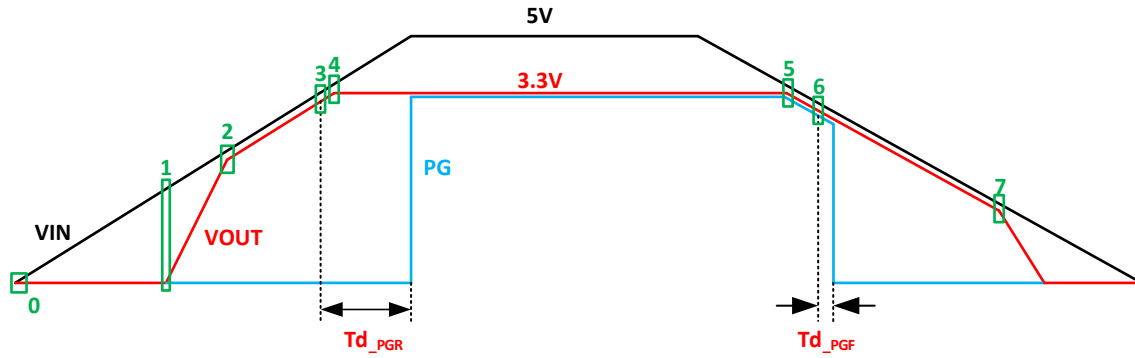


Figure 21. Startup and Shutdown Example —SCT71005 Series

Thermal Shutdown

This device incorporates a thermal shutdown (T_{SD}) circuit as a protection from overheating. For continuous normal operation, the junction temperature should not exceed the T_{SD} trip point. The junction temperature exceeding the T_{SD} trip point causes the output to turn off. When the junction temperature falls below the T_{SD} trip point minus thermal shutdown hysteresis, the output turns on again.

APPLICATION INFORMATION

Typical application 1:

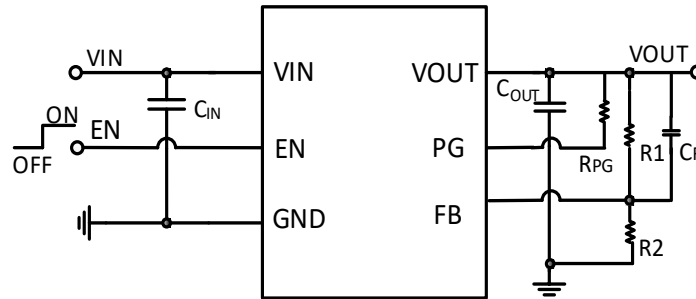


Figure 22. SCT71005 Typical Application Schematic

Design Parameters

Design Parameters	Example Value
Input Voltage	5V Normal, 1.7V~6V
Output Voltage	0.5V~5V
Maximum Output Current	500mA
Output Capacitor Range (C_{OUT})	2.2uF~22uF , recommends 10uF
Input Capacitor Range (C_{IN})	>2.2uF , recommends 10uF

Typical application 2:

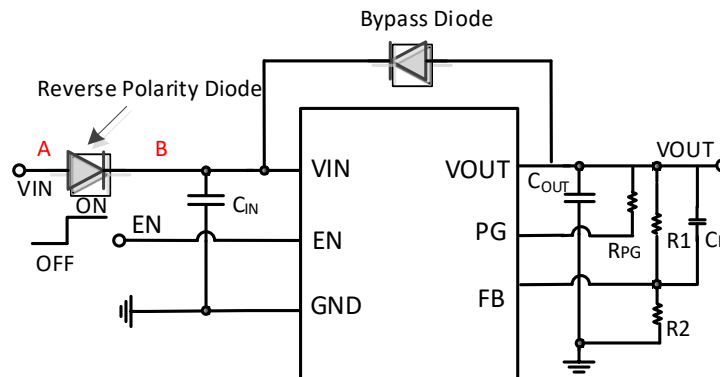


Figure 23. SCT71005 Typical Application Schematic with Reverse Polarity Diode

Design Parameters

Design Parameters	Example Value
Input Voltage	5V Normal, 1.7V~6V
Output Voltage	0.5V~5V
Maximum Output Current	500mA
Output Capacitor Range (C_{OUT})	2.2uF~22uF , recommends 10uF
Input Capacitor Range (C_{IN})	>2.2uF , recommends 10uF

SCT71005 Series

In some applications, the VIN and the VOUT potential might be reversed, possibly resulting in circuit internal damage or damage to the elements. For example, the accumulated charge in the output pin capacitor flowing backward from the VOUT to the VIN when the VIN shorts to the GND. In order to minimize the damage in such case, use a capacitor with a capacitance less than 220μF. Also by inserting a reverse polarity diode in to the VIN, it can prevent reverse current from reverse battery connection or the case, when the point A is short-circuited GND. If there may be any possible case point B is short-circuited to GND, we also recommend using a bypass diode between the VIN and the VOUT.

Typical application 3:

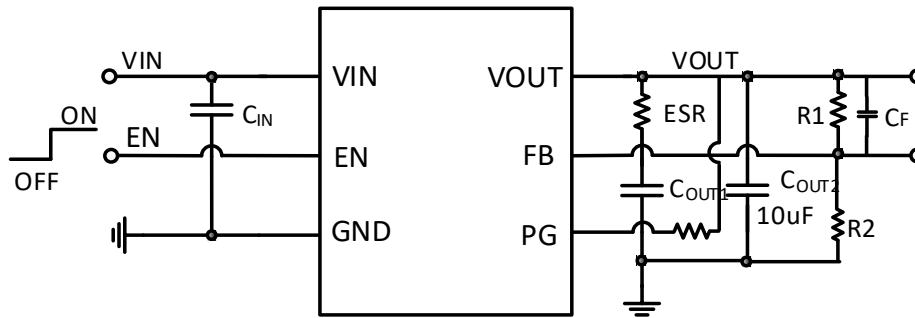


Figure 24. SCT71005 Typical Application Schematic with Large Output Capacitor

Design Parameters

Design Parameters	Example Value
Input Voltage	5V Normal, 1.7V~6V
Output Voltage	0.5V~5V
Maximum Output Current	500mA
Output Capacitor Range (C _{OUT1} and ESR)	2.2uF~220uF with ESR=0.5Ω~5Ω
Output Capacitor Range (C _{OUT2})	recommends 10uF with low ESR
Input Capacitor Range (C _{IN})	>2.2uF , recommends 10uF

Typical application 4:

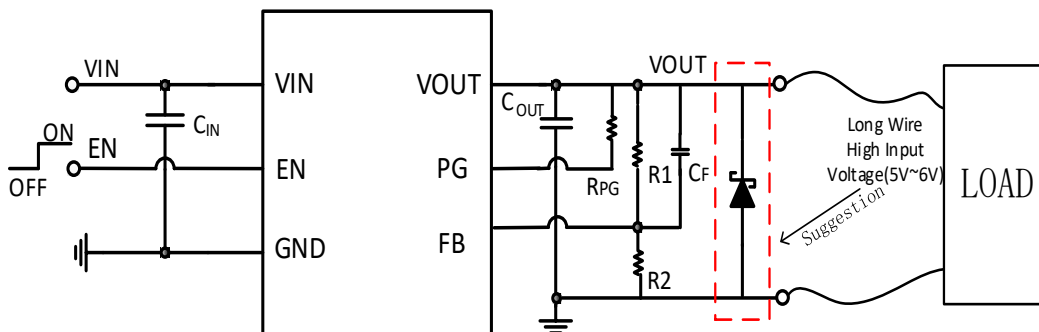


Figure 25. SCT71005 Typical Application Schematic with Long Wire and High Input Voltage

Design Parameters

Design Parameters	Example Value
Input Voltage	5V Normal, 1.7V~6V
Output Voltage	0.5V~5V
Maximum Output Current	500mA
Output Capacitor Range (C_{OUT1} and ESR)	2.2uF~220uF with ESR=0.5Ω~5Ω
Output Capacitor Range (C_{OUT2})	recommends 10uF with low ESR
Input Capacitor Range (C_{IN})	>2.2uF , recommends 10uF

A Schottky diode is suggested between VOUT and GND under the applications of hard short event at high input voltage when big distance exists between the device and loads.

SCT71005 Series

Output Voltage

The output voltage is set by an external resistor divider R1 and R2 in typical application schematic. Recommended R2 resistance is 100kΩ. Use equation 2 to calculate R1.

$$R_1 = \left(\frac{V_{OUT}}{V_{REF}} - 1 \right) * R_2 \quad (2)$$

where:

- V_{REF} is the feedback reference voltage, for SCT71005A01 is 700mV and SCT71005A02 is 500mV

Table 1: Compensation Values for Typical Output Voltage/Capacitor Combinations (SCT71005A01)

Vout/V	COUT/uF	Cf/pF	R1/kΩ	R2/kΩ	COUT1/uF (optional)	ESR/Ω
1.2	10	33	71.5	100	220	1
1.8	10	33	158	100	220	1
2.4	10	33	243	100	220	1
3.3	10	33	374	100	220	1
5	10	33	619	100	220	1

Table 2: Compensation Values for Typical Output Voltage/Capacitor Combinations (SCT71005A02)

Vout/V	COUT/uF	Cf/pF	R1/kΩ	R2/kΩ	COUT1/uF (optional)	ESR/Ω
1.2	10	33	140	100	220	1
1.8	10	33	261	100	220	1
2.4	10	33	383	100	220	1
3.3	10	33	562	100	220	1
5	10	33	909	100	220	1

Input Capacitor and Output Capacitor

SCT recommends adding a 2.2μF or greater capacitor with a 0.1μF bypass capacitor in parallel at VIN pin to keep the input voltage stable. Aluminum electrolytic capacitor or other capacitor with high capacitance is suggested for the system power with large voltage spike. The voltage rating of the capacitors must be greater than the maximum input voltage

To ensure loop stability, the SCT71005 product requires an output capacitor with a minimum effective capacitance value of 2.2μF. And the product could support output capacitor range from 2.2uF to 220uF and with an ESR range between 0.001Ω and 5Ω. SCT recommends selecting a X5R- or X7R-type 4.7uF~10uF ceramic capacitor with low ESR over temperature range to improve the load transient response.

To further improve loop stability, we recommend using feed forward capacitors. The specific values can refer to the Figure26 and Figure27.

When using large output capacitor with higher ESR resistor, for example 100uF output electrolytic capacitor with 1Ω ESR resistor in the application, SCT recommends adding extra 10uF low ESR output capacitor parallel connection with the large electrolytic capacitor, this will eliminate the undershoot/overshoot voltage caused by the large ESR resistor and get better load transient performance.

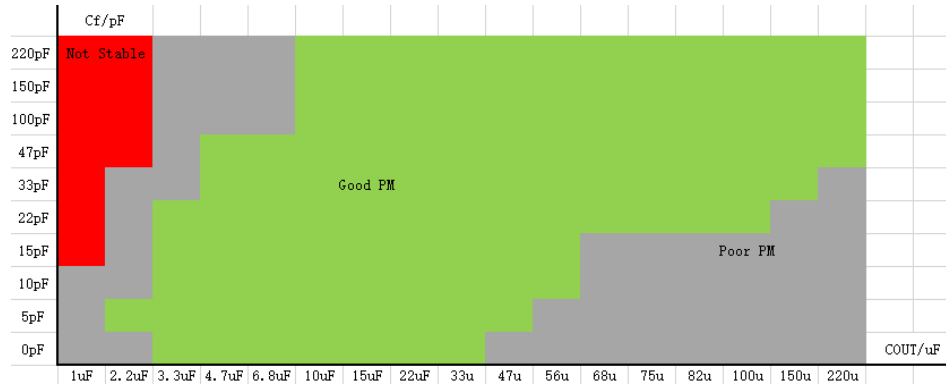


Figure 26. SCT71005 Feed Forward Capacitors recommend($R_2=100k\Omega, V_{OUT}=1.8V$)

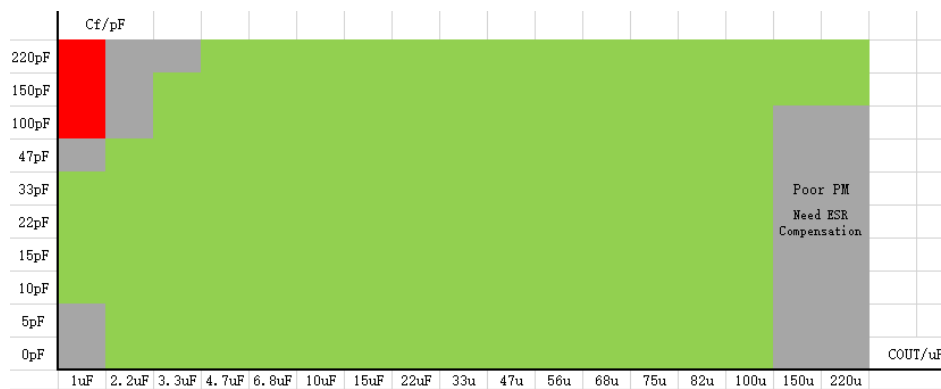


Figure 27. SCT71005 Feed Forward Capacitors recommend($R_2=10k\Omega, V_{OUT}=1.8V$)

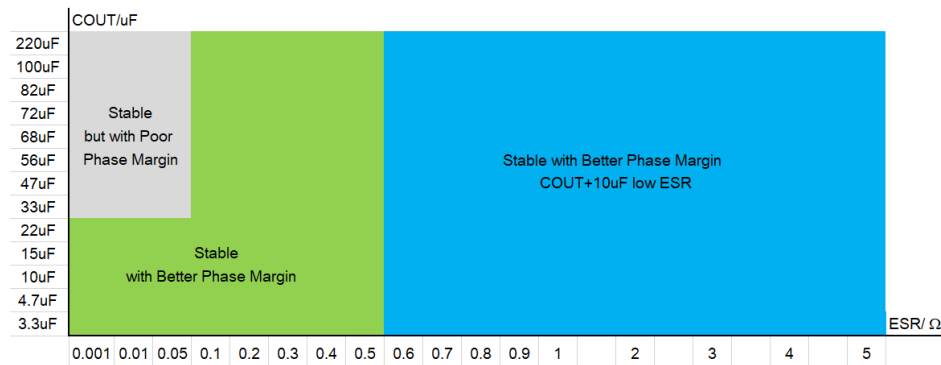


Figure 28. SCT71005 Stability vs Output Capacitor(Fixed Output)

SCT71005 Series

Power Dissipation and Thermal Performance

Power dissipation caused by voltage drop across the LDO and by the output current flowing through the device needs to be dissipated out from the chip. The maximum junction temperature is dependent on power dissipation, package, the PCB layout, number of used Cu layers, Cu layers thickness and the ambient temperature.

During normal operation, LDO junction temperature should not exceed 150°C, or else it may result in deterioration of the properties of the chip. Using below equations to calculate the power dissipation and estimate the junction temperature.

The power dissipation can be calculated using Equation 3. Because $I_{GND} \ll I_{OUT}$, the term $V_{IN} \times I_{GND}$ in Equation 3 could be ignored.

$$P_D = (V_{IN} - V_{OUT}) \times I_{OUT} + V_{IN} \times I_{GND} \quad (3)$$

The junction temperature can be estimated using Equation 4. $R_{\theta JA_EVM}$ is the junction-to-ambient thermal resistance based on customer's PCB. Verify the application and allow sufficient margins in the thermal design by the following method is used to calculate the junction temperature T_J .

$$T_J = T_A + P_D \times R_{\theta JA_EVM} \quad (4)$$

$R_{\theta JA_EVM}$ is a critical parameter and depends on many factors such as the following:

- Power dissipation
- Air temperature/flow
- PCB area
- Copper heat-sink area
- Number of thermal vias under the package
- Adjacent component placement

For the SCT71005 series products, the maximum allowable power dissipation of different packages was listed in the following table, and the test results are based on our EVM board, larger power dissipation will trigger thermal shutdown protection. As a result, we could calculate the $R_{\theta JA_EVM}$ of different packages. The following table is just for your reference based on our EVM test, please leave enough margin when you design thermal performance.

The PCB information of our EVM: 4-layer, 1oz Cu (inner 0.5oz Cu), 50mm x 30mm size. 2-layer (only for DFN1X1-4L), 1oz Cu, 50mm x 30mm size.

Thermal Performance of Different Packages Based on EVM Test

Package	Max Allowable PD (W) (Not Trigger TSD, VOUT=1.8V)	Max Allowable PD (W) (T _J ≤125°C)	R _{θJA_EVM} (°C/W)
SOT23-5L	1.579	1.089	91.81
DFN2X2-6L	2.033	1.402	71.31
DFN2X3-8L	2.46	1.694	59.04
DFN1X1-4L (2-layer)	1.032	0.711	140.55

THERMAL CHARACTERISTICS

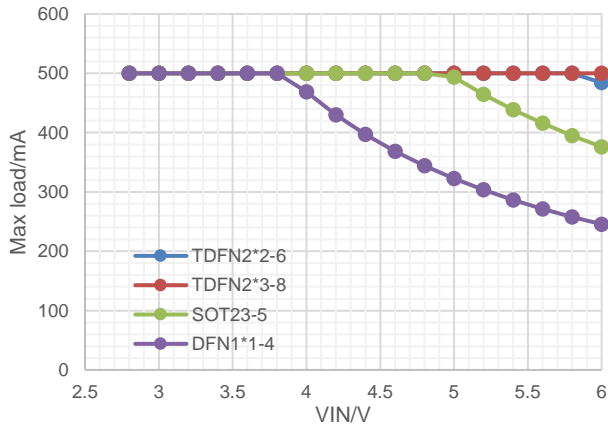


Figure 29. Maximum Output Current vs Input Voltage, VOUT=1.8V of Different Packages ,TJ ≤ TSD_R

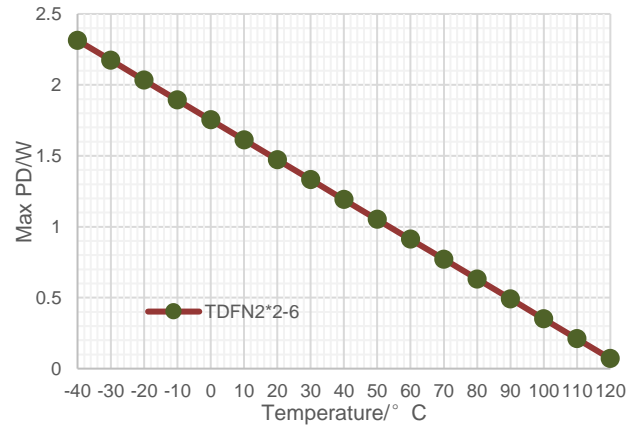


Figure 30. Maximum Allowed Power Dissipation vs Ambient Temperature, DFN2x2-6L,TJ ≤ 125°C

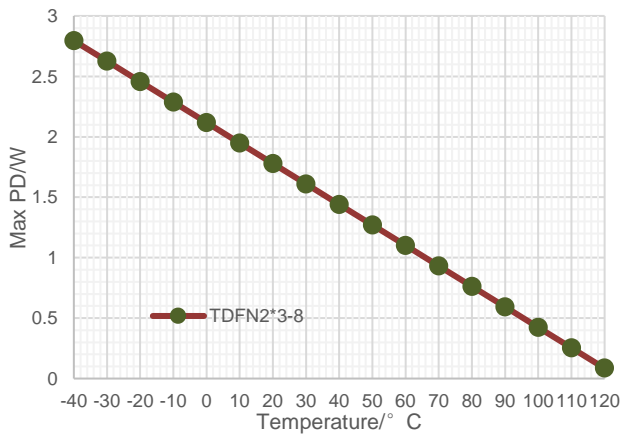


Figure 31. Maximum Allowed Power Dissipation vs Ambient Temperature, DFN2x3-8L,TJ ≤ 125°C

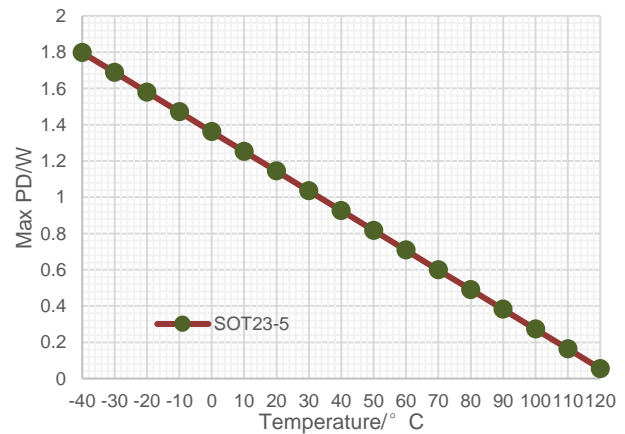


Figure 32. Maximum Allowed Power Dissipation vs Ambient Temperature, SOT23-5L,TJ ≤ 125°C

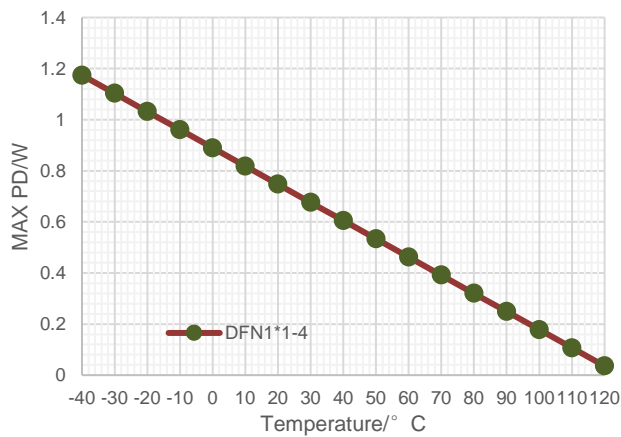


Figure 33. Maximum Allowed Power Dissipation vs Ambient Temperature, DFN1x1-4L,TJ ≤ 125°C

SCT71005 Series

Application Waveforms

Vin=Vout +1V, unless otherwise noted

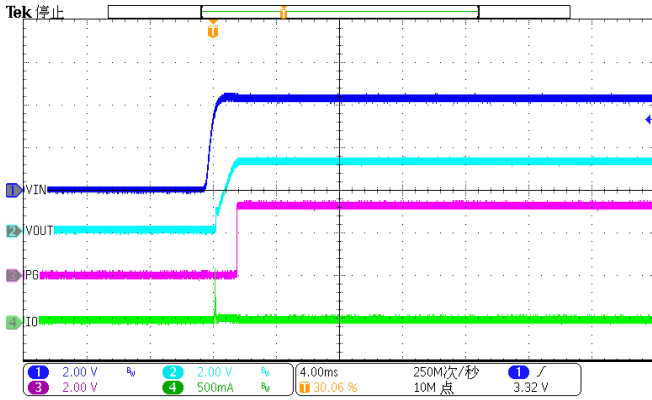


Figure 34. Power up (Iload=10mA)

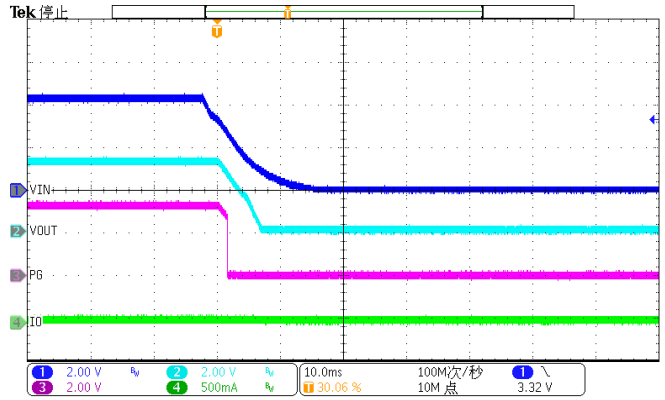


Figure 35. Power down (Iload=10mA)

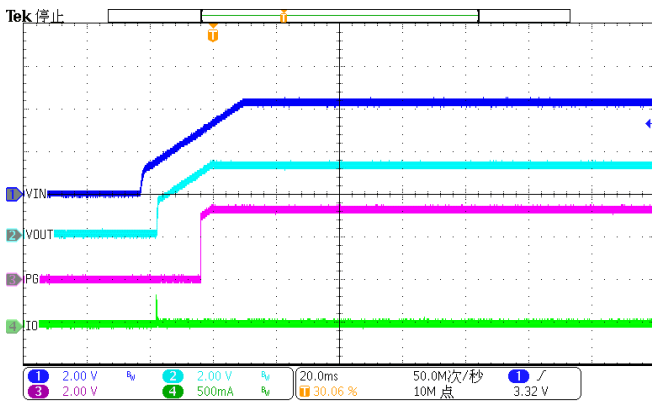


Figure 36. Slow Power up (Iload=10mA)

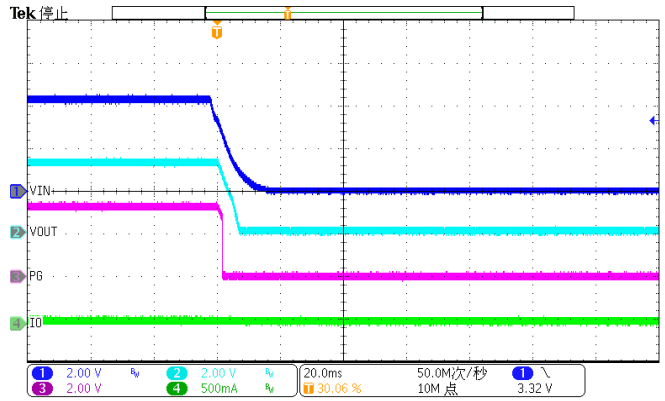


Figure 37. Slow Power down (Iload=10mA)

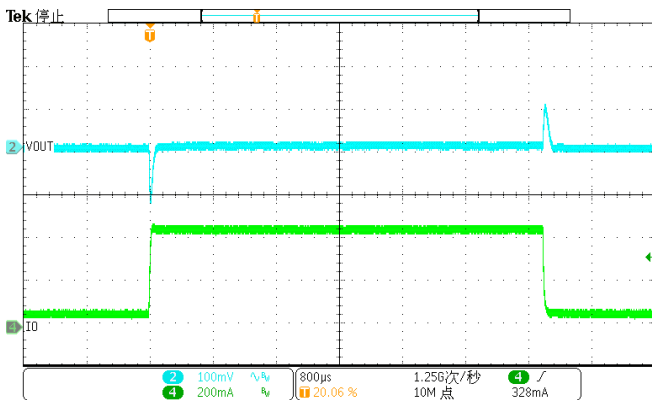


Figure 38. DC-DC Load Transient
(50mA-450mA), VOUT=3.3V

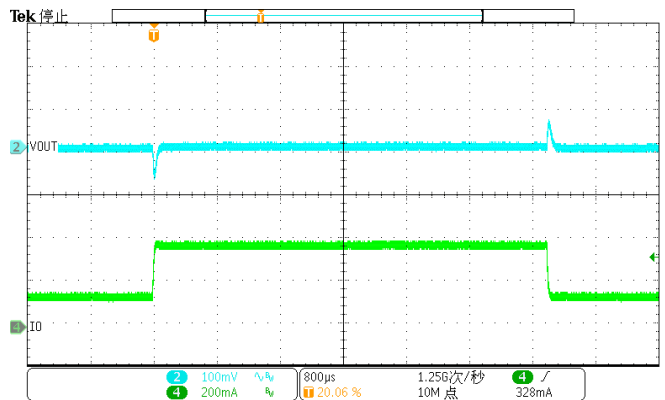


Figure 39. DC-DC Load Transient
(130mA-370mA), VOUT=3.3V

Application Waveforms(Continued)

Vin=Vout +1V, unless otherwise noted

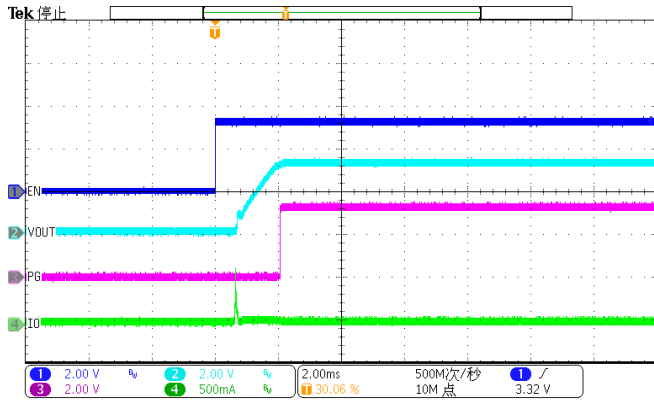


Figure 40. Enable (Iload=10mA)

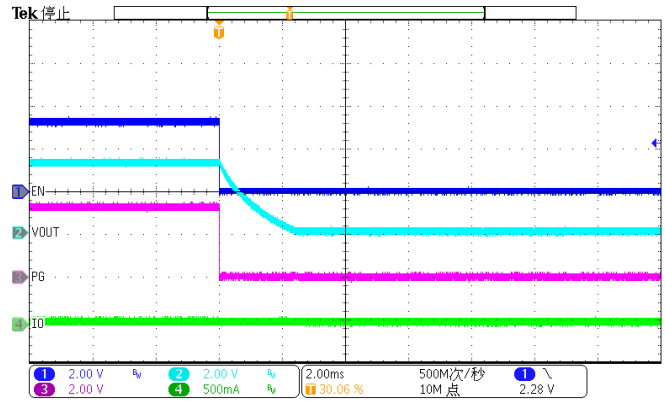


Figure 41. Disable (Iload=10mA)

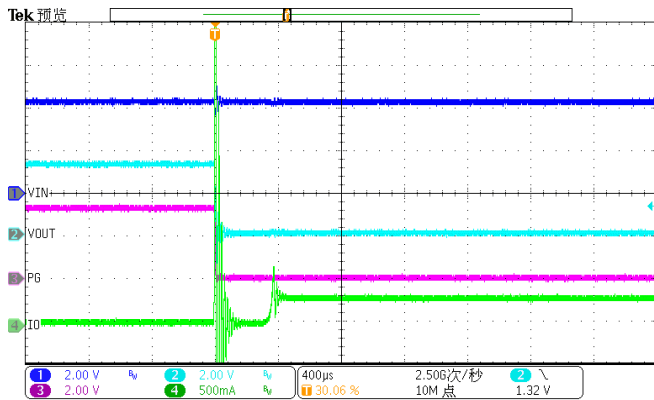


Figure 42. Enter Short Circuit Protection

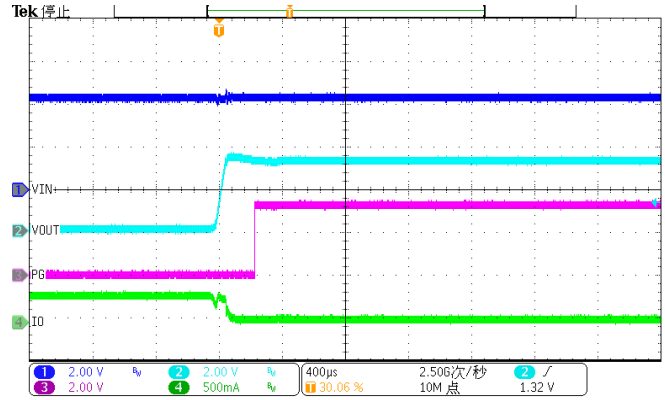


Figure 43. Exit Short Circuit Protection

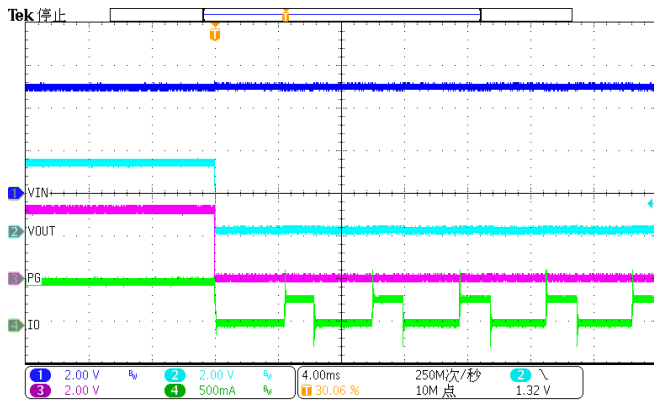


Figure 44. Enter Over Temperature Protection(Vin=5.5V)

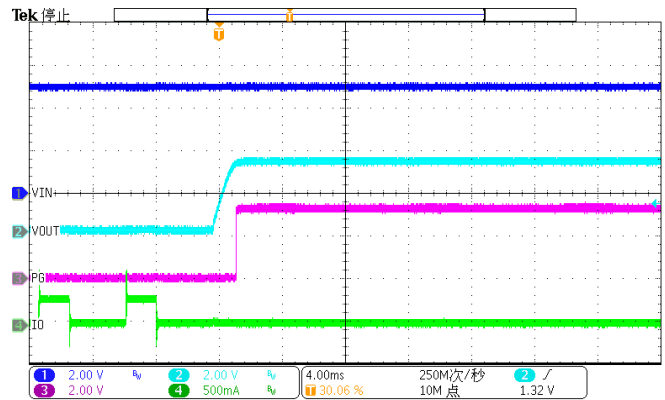


Figure 45. Exit Over Temperature Protection(Vin=5.5V)

SCT71005 Series

Layout Guideline

Proper PCB layout is a critical for SCT71005's stability, transient performance and good regulation characteristics. For better results, follow these guidelines as below:

1. Both input capacitors and output capacitors must be placed as close to the device pins as possible.
2. It is recommended to bypass the input pin to ground with a 0.1μF bypass capacitor. The loop area formed by the bypass capacitor connection, V_{IN} pin and the GND pin of the system must be as small as possible.
3. It is recommended to use wide trace lengths or thick copper weight to minimize I×R drop and heat dissipation.
4. To improve the thermal performance of the device, and maximize the current output at high ambient temperature, SCT recommends spreading the copper under the thermal pad as far as possible and placing enough thermal vias on the copper under the thermal pad.
5. If using large electrolytic capacitor with high ESR resistor, SCT recommends adding a 10uF low ESR capacitor parallel connection with the large electrolytic capacitor.

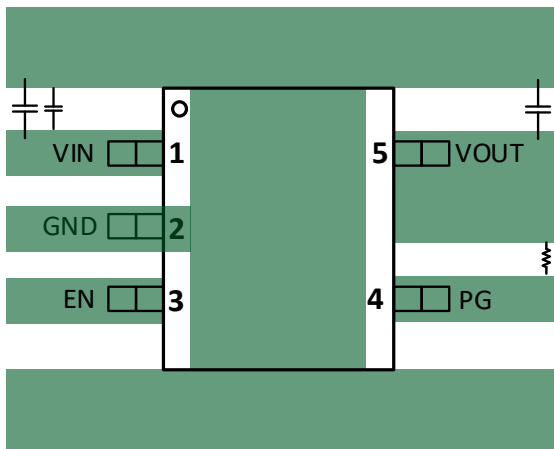


Figure 46. PCB Layout Example

SCT71005FxxTWDR

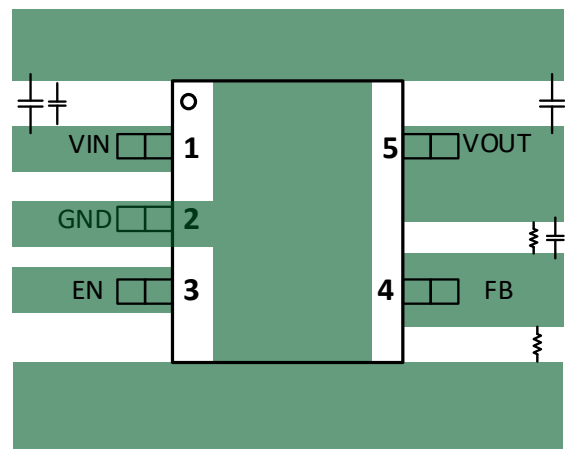


Figure 47. PCB Layout Example

SCT71005A01TWDR

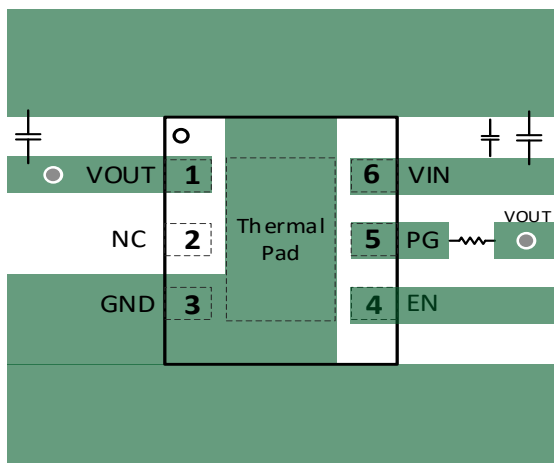


Figure 48. PCB Layout Example

SCT71005FxxDVAR

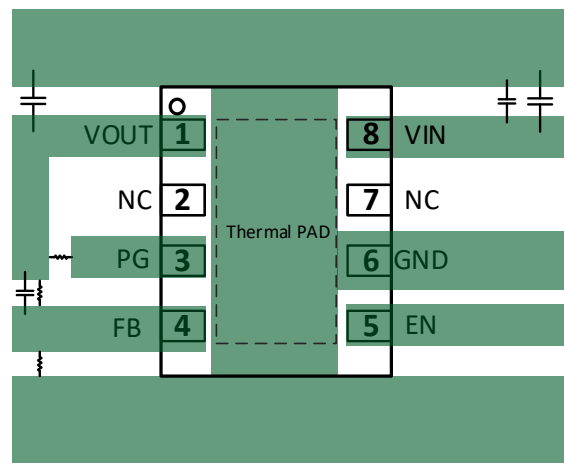


Figure 49. PCB Layout Example

SCT71005A02DTDR

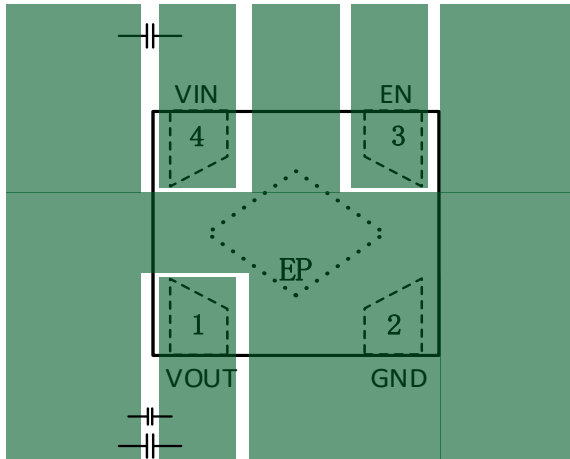
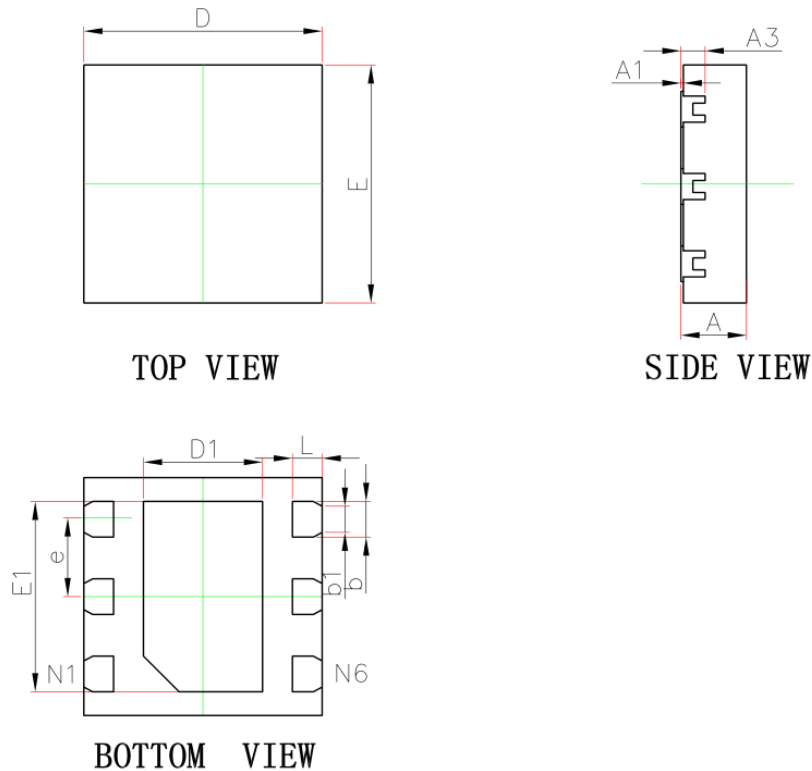


Figure 50. PCB Layout Example

SCT71005FxxDXAR

SCT71005 Series

PACKAGE INFORMATION



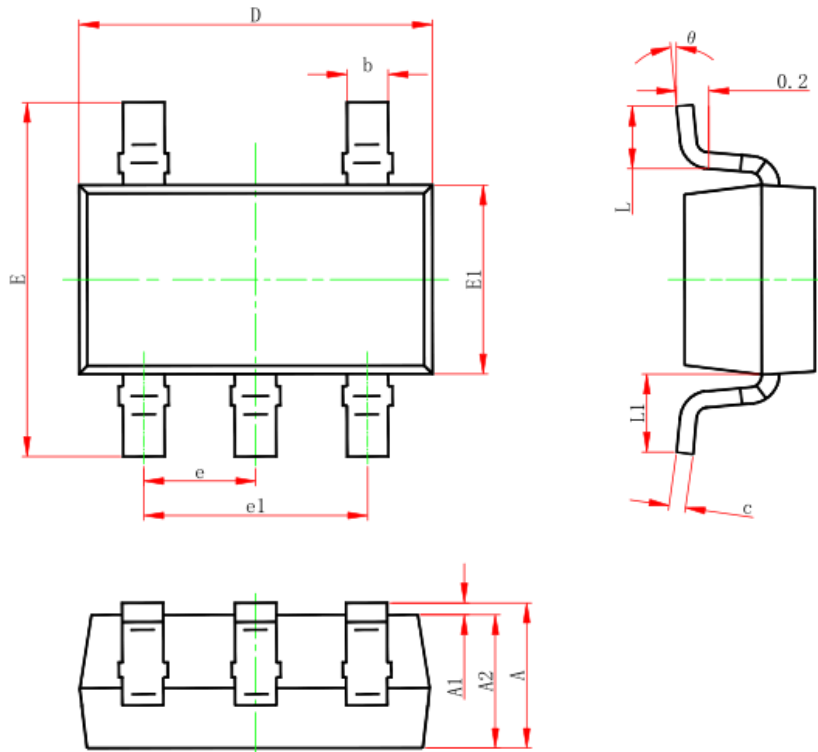
DFN2x2-6L Package Outline Dimensions

Symbol	Dimensions in Millimeters		Dimensions in Inches	
	Min.	Max.	Min.	Max.
A	0.700	0.800	0.028	0.031
A1	0.000	0.050	0.000	0.002
A3	0.203 REF.		0.008 REF.	
D	1.900	2.100	0.075	0.083
E	1.900	2.100	0.075	0.083
D1	0.900	1.100	0.035	0.043
E1	1.500	1.700	0.059	0.067
b	0.250	0.350	0.010	0.014
b1	0.220 REF.		0.009 REF.	
e	0.650 BSC.		0.026 BSC.	
L	0.174	0.326	0.007	0.013

NOTE:

1. Drawing proposed to be made a JEDEC package outline MO-220 variation.
2. Drawing not to scale.
3. All linear dimensions are in millimeters.
4. Thermal pad shall be soldered on the board.
5. Dimensions of exposed pad on bottom of package do not include mold flash.
6. Contact PCB board fabrication for minimum solder mask web tolerances between the pins.

PACKAGE INFORMATION



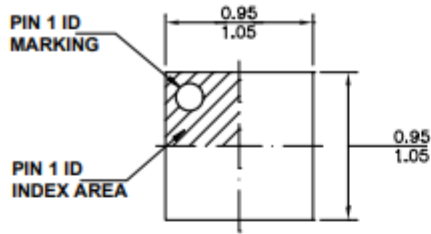
SOT23-5L Package Outline Dimensions

Symbol	Dimensions in Millimeters		Dimensions in Inches	
	Min.	Max.	Min.	Max.
A	1.050	1.250	0.041	0.049
A1	0.000	0.100	0.000	0.004
A2	1.050	1.150	0.041	0.045
b	0.300	0.500	0.012	0.020
c	0.100	0.200	0.004	0.008
D	2.820	3.020	0.111	0.119
E1	1.500	1.700	0.059	0.067
E	2.650	2.950	0.104	0.116
e	0.950 (BSC)		0.037 (BSC)	
e1	1.800	2.000	0.071	0.079
L	0.300	0.600	0.012	0.024
L1	0.600 REF		0.024 REF	
θ	0°	8°	0°	8°

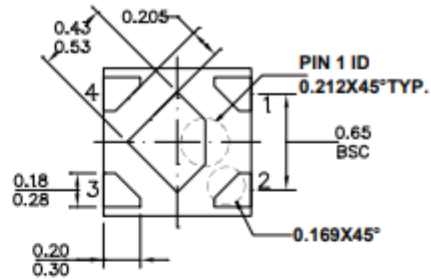
NOTE:

1. Drawing proposed to be made a JEDEC package outline MO-220 variation.
2. Drawing not to scale.
3. All linear dimensions are in millimeters.
4. Thermal pad shall be soldered on the board.
5. Dimensions of exposed pad on bottom of package do not include mold flash.
6. Contact PCB board fabrication for minimum solder mask web tolerances between the pins.

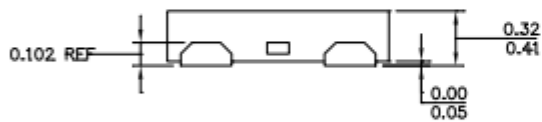
PACKAGE INFORMATION



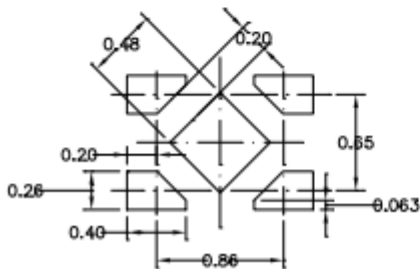
TOP VIEW



BOTTOM VIEW



SIDE VIEW



RECOMMENDED LAND PATTERN

NOTE:

- 1) ALL DIMENSIONS ARE IN MILLIMETERS.
- 2) LEAD COPLANARITY SHALL BE 0.08 MILLIMETERS MAX.
- 3) JEDEC REFERENCE IS MO-220.
- 4) DRAWING IS NOT TO SCALE.

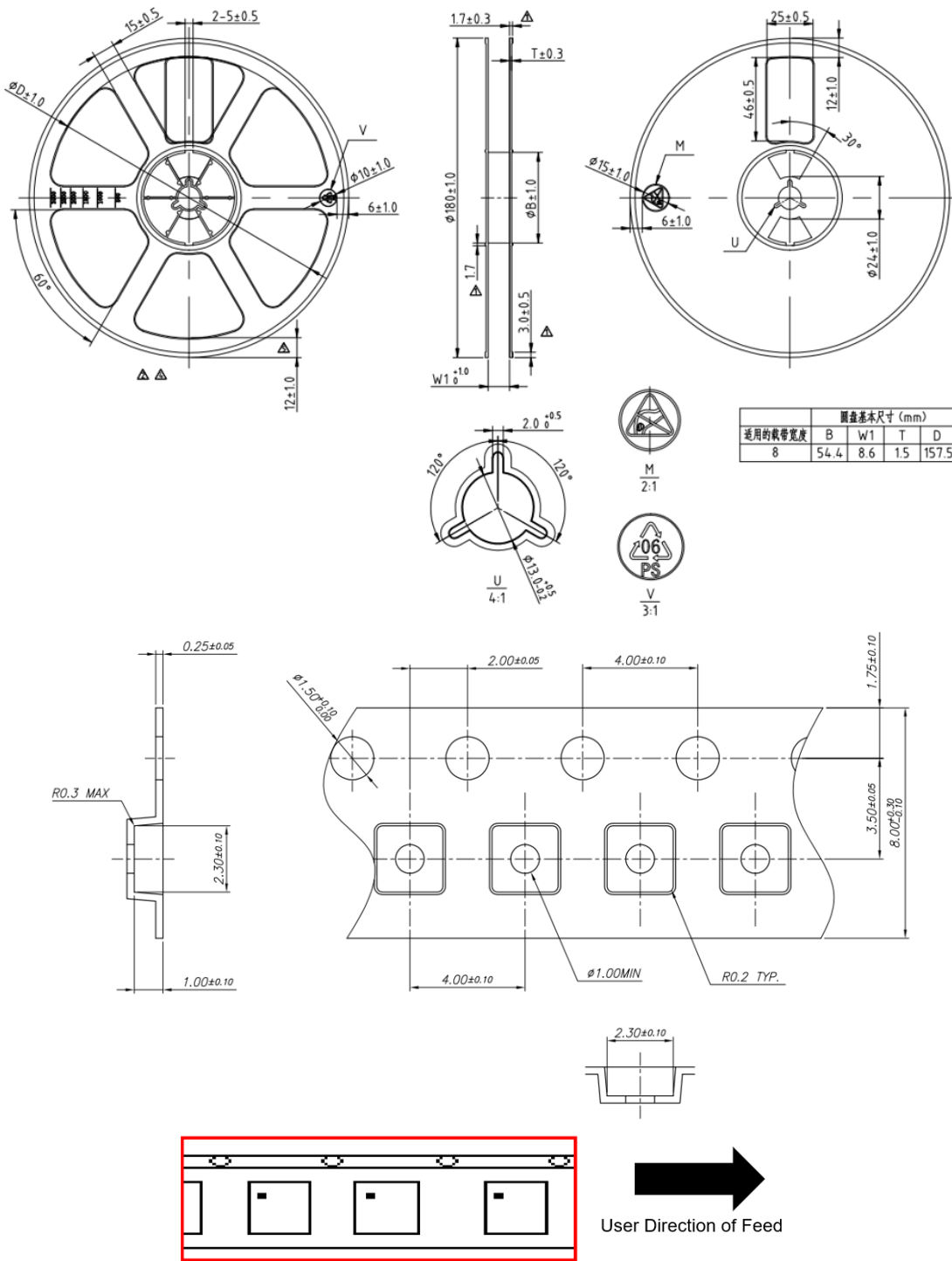
DFN1x1-4L Package Outline Dimensions

NOTE:

1. Drawing proposed to be made a JEDEC package outline MO-220 variation.
2. Drawing not to scale.
3. All linear dimensions are in millimeters.
4. Thermal pad shall be soldered on the board.
5. Dimensions of exposed pad on bottom of package do not include mold flash.
6. Contact PCB board fabrication for minimum solder mask web tolerances between the pins.

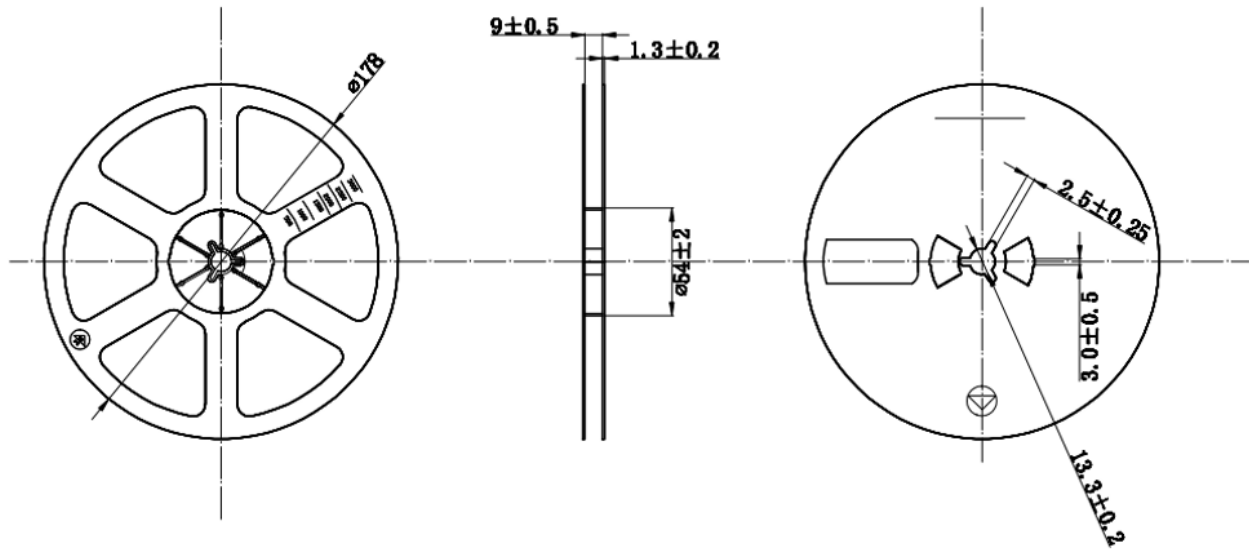
SCT71005 Series

TAPE AND REEL INFORMATION

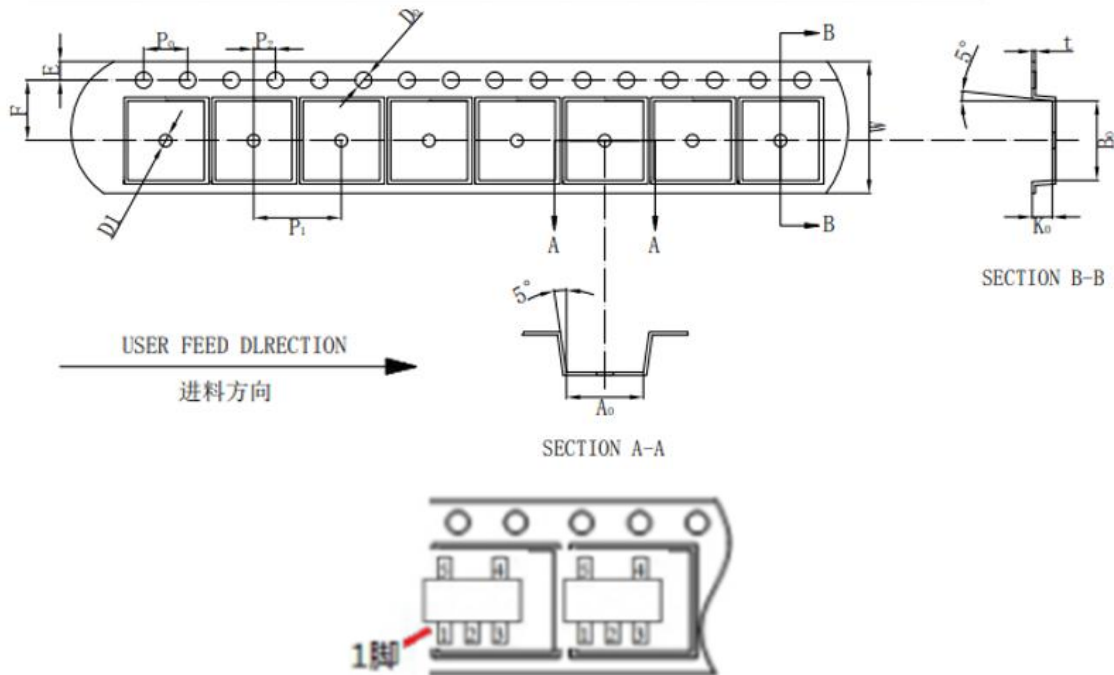


NOTICE: The information in this document is subject to change without notice. Users should warrant and guarantee the third party Intellectual Property rights are not infringed upon when integrating Silicon Content Technology (SCT) products into any application. SCT will not assume any legal responsibility for any said applications.

TAPE AND REEL INFORMATION



ITEM	W	A ₀	B ₀	K ₀	E	F	D1	D ₀	P ₀	P ₁	P ₂	t
MIN	7.80	3.15	3.25	1.28	1.65	3.45	—	—	3.90	3.90	1.95	0.20
NOM	8.00	3.25	3.30	1.38	1.75	3.50	1.00	1.50	4.00	4.00	2.00	0.25
MAX	8.20	3.35	3.40	1.48	1.85	3.55	1.10	1.60	4.10	4.10	2.05	0.30

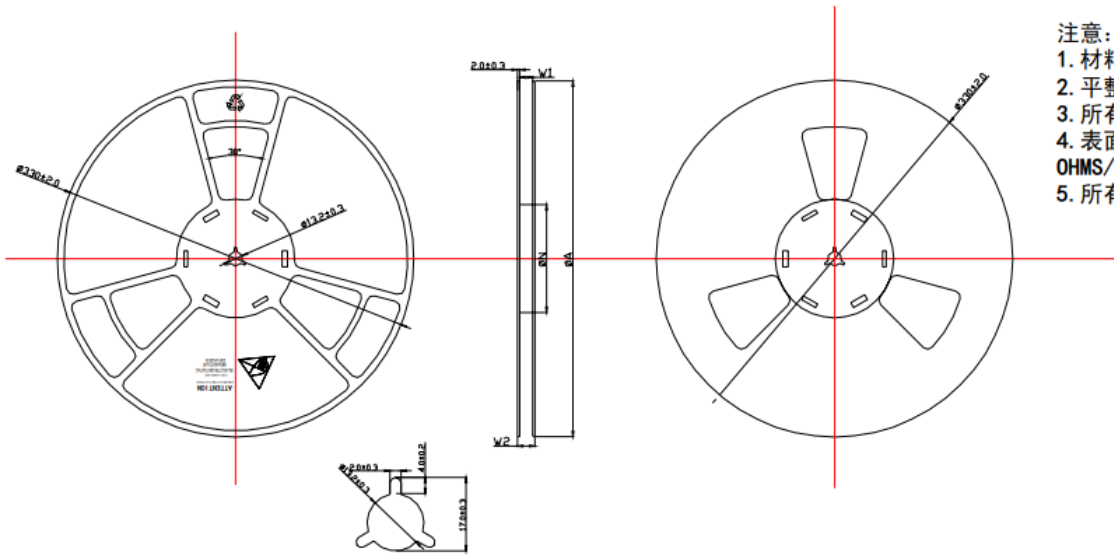


SOT23-5L

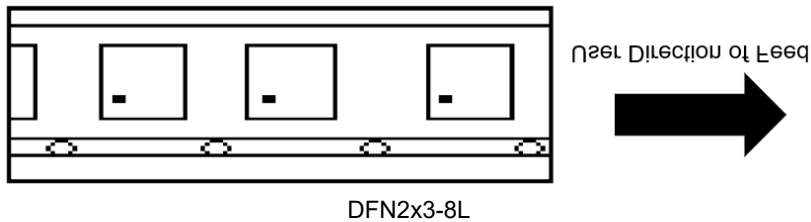
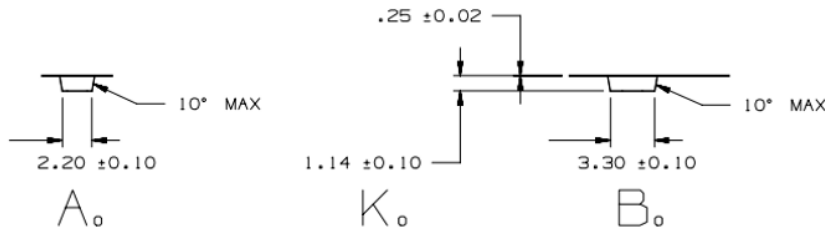
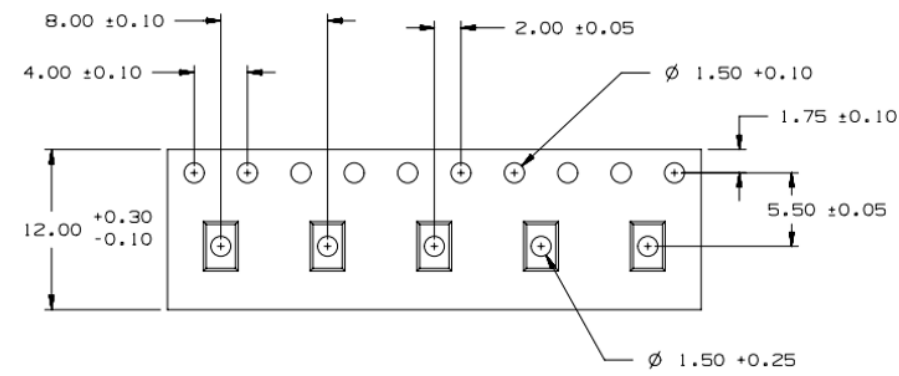
NOTICE: The information in this document is subject to change without notice. Users should warrant and guarantee the third party Intellectual Property rights are not infringed upon when integrating Silicon Content Technology (SCT) products into any application. SCT will not assume any legal responsibility for any said applications.

SCT71005 Series

TAPE AND REEL INFORMATION

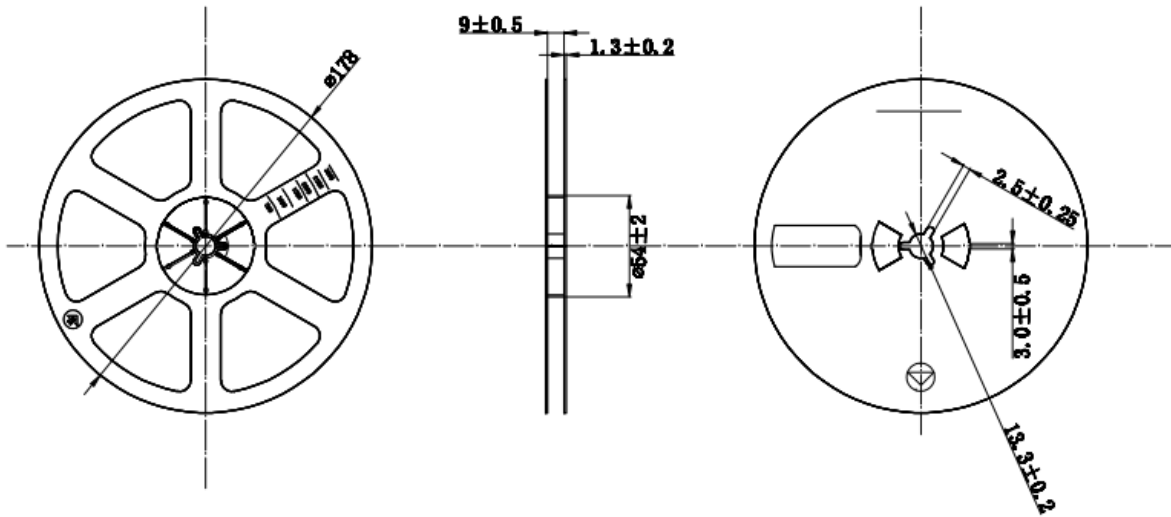


- 注意:
1. 材料: 聚苯乙烯;
 2. 平整度: 最大允许3毫米;
 3. 所有尺寸为毫米;
 4. 表面电阻: 10E5~10E11 OHMS/SQ以下
 5. 所有未标注公差: ±0.5

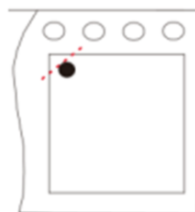
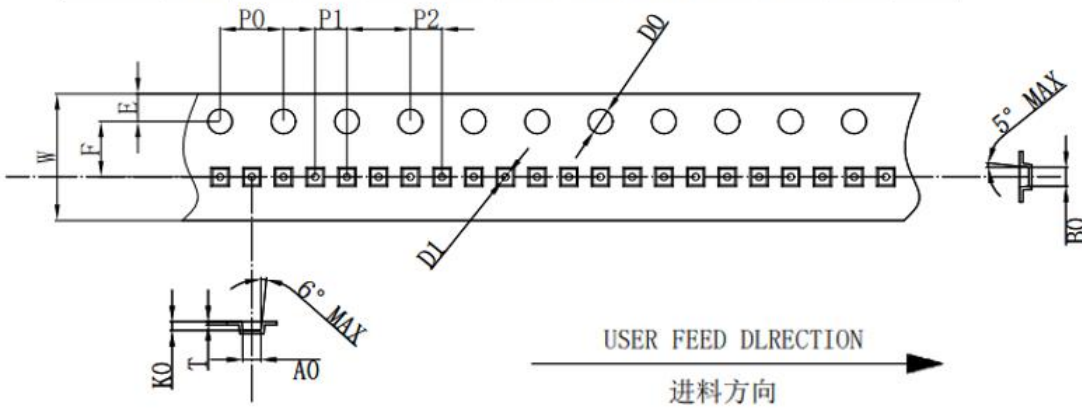


NOTICE: The information in this document is subject to change without notice. Users should warrant and guarantee the third party Intellectual Property rights are not infringed upon when integrating Silicon Content Technology (SCT) products into any application. SCT will not assume any legal responsibility for any said applications.

TAPE AND REEL INFORMATION



ITEM	W	A ₀	B ₀	K ₀	E	F	D ₁	D ₀	P ₀	P ₁	P ₂	T
MIN	7.80	1.10	1.07	0.50	1.65	3.45	0.45	1.50	3.90	1.95	1.95	0.13
NOM	8.00	1.15	1.12	0.55	1.75	3.50	0.50	1.55	4.00	2.00	2.00	0.18
MAX	8.20	1.20	1.17	0.60	1.85	3.55	0.55	1.60	4.10	2.05	2.05	0.23



DFN1x1-4L

NOTICE: The information in this document is subject to change without notice. Users should warrant and guarantee the third party Intellectual Property rights are not infringed upon when integrating Silicon Content Technology (SCT) products into any application. SCT will not assume any legal responsibility for any said applications.